

Series 5200 D-Port

- ▶ Large-diameter control valve provides immediate control response
- ▶ Accurate, repeatable linear flow control
- ▶ Sleeve is the only component in contact with the media, eliminating the need for expensive bodies
- ▶ Sleeve trim options match flow needs

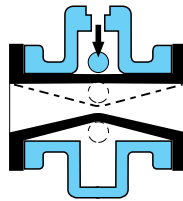


Red Valve's Series 5200 D-Port Control Valve is an economical control valve choice. When fully open, the D-Port valve chamber has an elliptical shape, with approximately 80 percent of the area and 95 percent of the flow of a full-ported valve. Flow control begins almost immediately, providing a near-linear flow characteristic. The D-Port configuration employs a single actuator that closes from the top. This design shortens the actuator stroke and thrust, which in turn reduces operating costs.

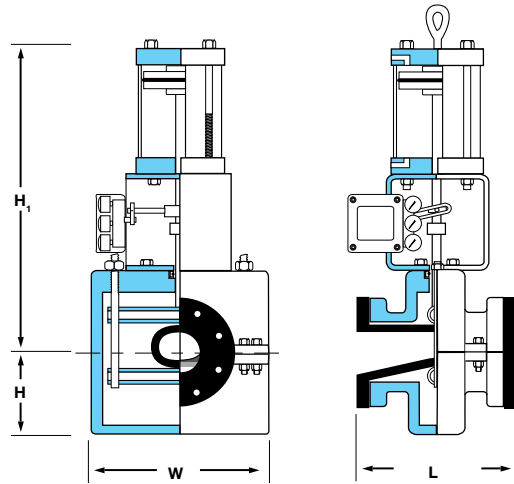
The rugged elastomer sleeve is self-cleaning, with no packing to maintain, and provides accurate, repeatable control. The Series 5200 D-Port Control Valve can be furnished with a Standard, Double-Wall or Cone Sleeve design.

Materials of Construction

- ▶ Ductile iron body
- ▶ ATO/ATC, ATO/Fail Close and ATC/Fail Open actuators
- ▶ Sleeves available in Pure Gum Rubber, Neoprene, Hypalon®, Chlorobutyl, Buna-N, EPDM and Viton®
- ▶ Drilled and tapped to mate with ANSI B16.5 Class 150 flanges



Closing Action



Dimensions Series 5200 D-Port

VALVE SIZE	LENGTH L	WIDTH W	HEIGHT		WORKING PRESSURE psi**	WEIGHT ATO/ATC lbs*
			H	ATO/ATC H ₁ *		
6"	17-3/4"	16-7/8"	7-5/8"	36"	150	305
8"	21-3/8"	19-7/8"	9-1/8"	43"	125	395
10"	26-1/2"	23-1/2"	11"	43"	100	520
12"	29"	27-1/2"	11-13/16"	46"	100	709
14"	28"	31"	14"	51"	75	1,200
16"	32"	34"	15"	56"	50	1,600
18"	36"	44"	16-1/2"	59"	50	2,000
20"	40"	40"	17"	62"	50	2,450
24"	48"	57"	20-1/2"	69"	50	4,250
30"	60"	78"	19-3/8"	74"	50	8,300
36"	72"	90"	33"	96"	45	14,300

*Consult factory for specific heights and weights of Fail-Close or Fail-Open valves.

**Higher working pressures available.

For larger valve sizes up to 72", consult factory.