

KENCO WATER FILLER CAP ASSEMBLIES

OVERVIEW

KENCO Water Filler Cap Assemblies provide a means of adding or checking fluid in an engine or surge/expansion tank. The Water Filler Cap Assemblies consist of a filler neck with a common automotive radiator type cap. Three different configurations are available with the option of a 7 psi or 15 psi pressure rating.



MODEL 390 WITH 1" MNPT

The Model 390 has an automotive type radiator cap. It is supplied with a 1/4" Ø bleed hole in the filler neck. Two models are available.

390-7

Includes a 7 psi rated, full pressure, closed system (compatible for coolant recovery bottles), coolant cap featuring cooling system compatible Nitrile seals.

Operating Temperature Range: -30°F to +285°F
Vacuum Cracking Pressure: 0 to 5.5 kPa

390-15

Includes a 15 psi rated, full pressure, closed system (compatible for coolant recovery bottles), coolant cap featuring cooling system compatible Nitrile seals.

Operating Temperature Range: -30°F to +285°F
Vacuum Cracking Pressure: 0 to 5.5 kPa



MODEL 29508 WITH 1" MNPT

The Model 29508 has an automotive type radiator cap. It is supplied with a 1/4" O.D. overflow tube in the filler neck. Two models are available.

29508-7

Includes a 7 psi rated, full pressure, closed system (compatible for coolant recovery bottles), coolant cap featuring cooling system compatible Nitrile seals.

Operating Temperature Range: -30°F to +285°F
Vacuum Cracking Pressure: 0 to 5.5 kPa

29508-15

Includes a 15 psi rated, full pressure, closed system (compatible for coolant recovery bottles), coolant cap featuring cooling system compatible Nitrile seals.

Operating Temperature Range: -30°F to +285°F
Vacuum Cracking Pressure: 0 to 5.5 kPa



MODEL 1794 WITH 2" FNPT

The Model 1794 has a truck radiator cap. It is supplied with a 5/16" O.D. overflow tube in the filler neck. Two models are available.

1794-7

Includes a 7 psi rated, full pressure, open system (overflow vents to atmosphere), coolant cap featuring a cooling system compatible Nitrile seal.

Operating Temperature Range: -30°F to +285°F
Vacuum Cracking Pressure: 0 to 5.5 kPa

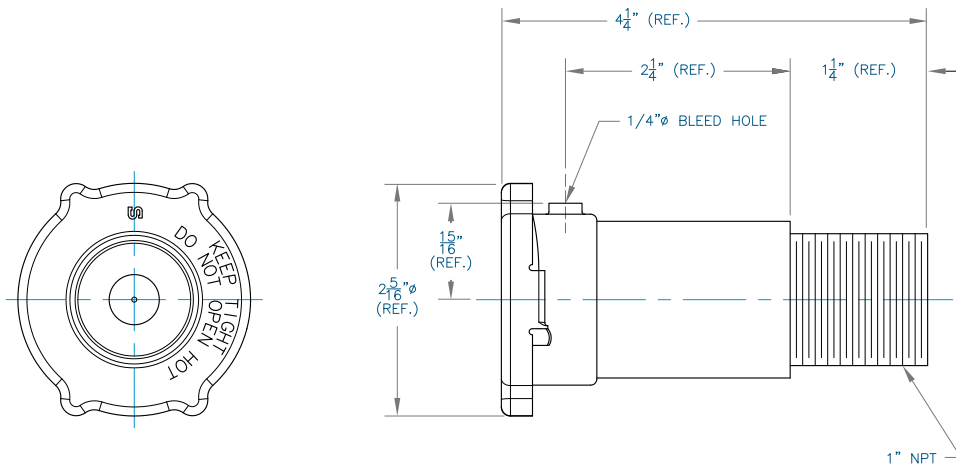
1794-15

Includes a 15 psi rated, full pressure, open system (overflow vents to atmosphere), coolant cap featuring a cooling system compatible Nitrile seal.

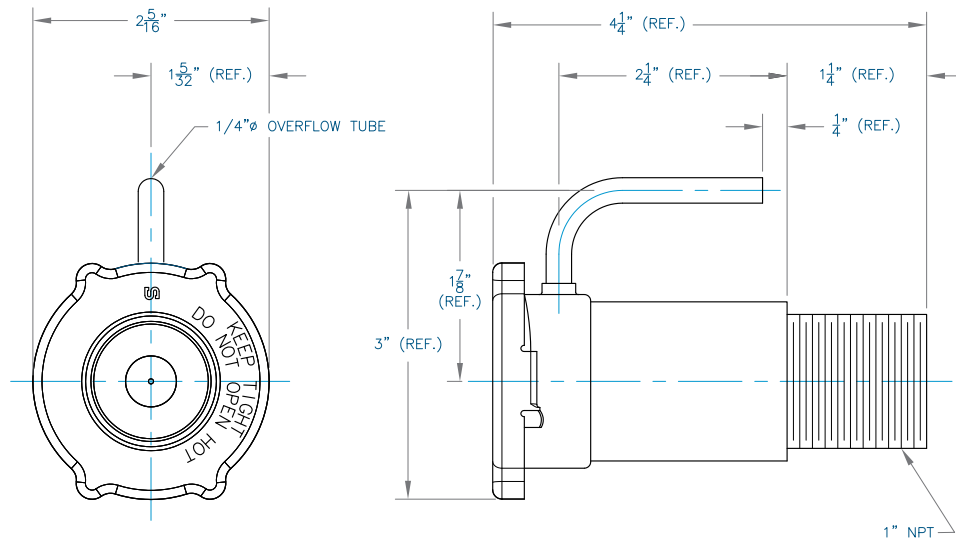
Operating Temperature Range: -30°F to +285°F
Vacuum Cracking Pressure: 0 to 5.5 kPa

WATER FILLER CAP ASSEMBLIES

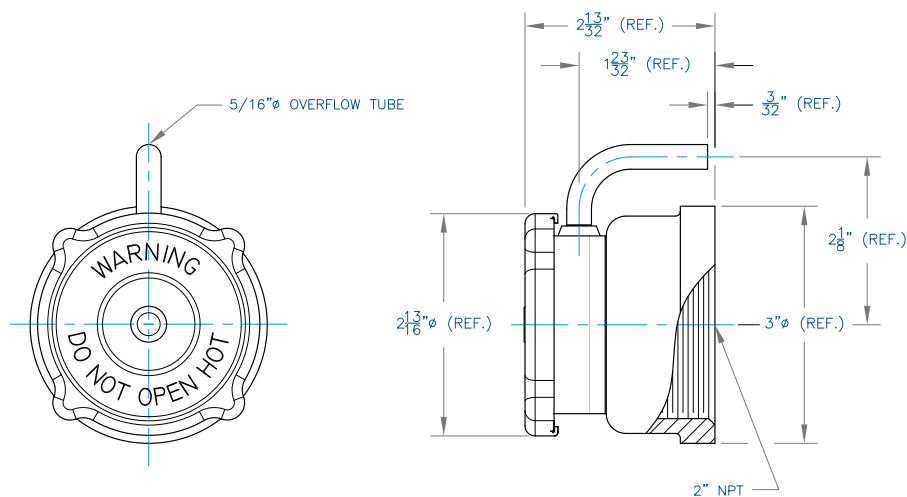
Model #
390-7
390-15



Model #
29508-7
29508-15



Model #
1794-7
1794-15



Represented by:

Kenco Sales Offices:

Headquarters

10001 E. 54th St.
Tulsa, OK 74146
phone 918.663.4406
fax 918.663.4480
www.kenco-eng.com
email: info@kenco-eng.com

Baton Rouge Office

11616 Industriplex, Suite 7
Baton Rouge, LA 70809
phone 225.755.1912
fax 225.755.1913
www.kenco-eng.com
email: kenco-la@kenco-eng.com

10-28-11

