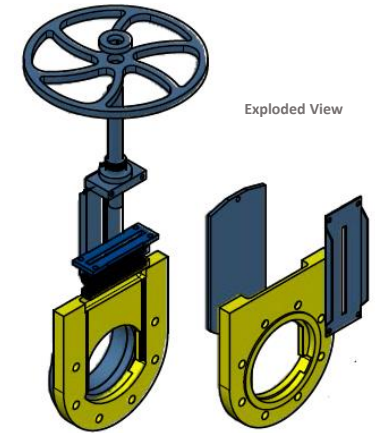
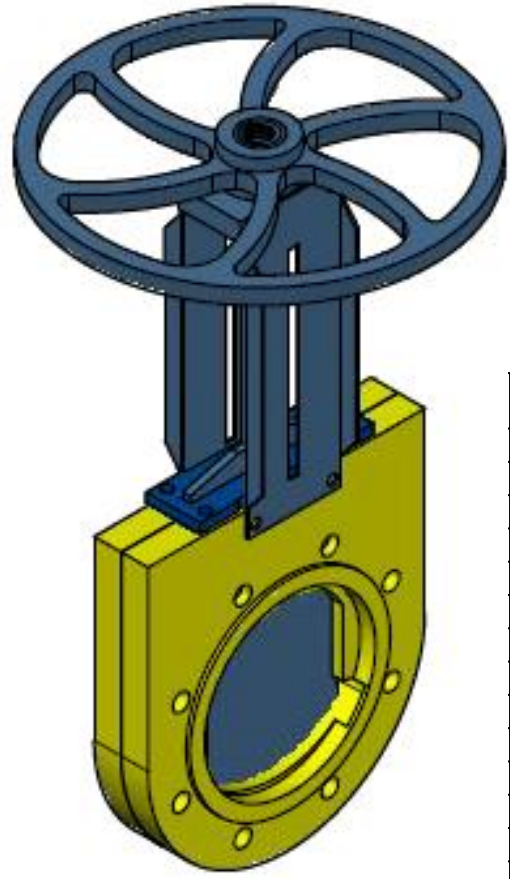


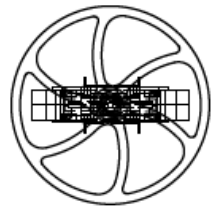
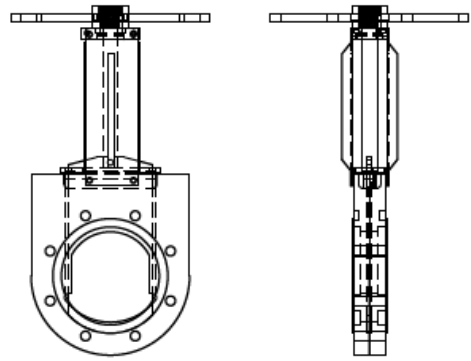
# SureSeal Knife Gate Valve Lined/Unlined

### Valve Material list


Body	Carbon Steel / Stainless Steel
Blade	Stainless Steel 304/316/Hardened Material
Hand wheel	Carbon Steel / Stainless Steel
Lining	Natural Rubber/EPDM/Polyurethane/Unlined
Gland	Carbon Steel / Stainless Steel
Pillar	Carbon Steel / Stainless Steel
Spindle	304 Stainless Steel
Rev Nut	GM Bronze
Locking Device (opt)	Mild Steel / Stainless Steel
Fasteners	304 Stainless Steel
Deflector Cone (opt)	Polyurethane/304 Stainless Steel/ROQ-tuf/ROQ-last



Size (mm)	Unlined F/F	Lined F/F	Length (mm)	Pressure Rating Bar	Mass (kg)
50mm	40	46	430	12	12
80mm	44	50	430	12	12
100mm	59	62	460	12	14
125mm	70	78	560	12	29
150mm	70	78	560	12	29
200mm	72	80	740	12	38
250mm	76	84	900	12	56
300mm	80	88	1050	12	85
350mm	96	104	1170	10	95
400mm	100	108	1320	10	130
450mm	100	112	1460	10	238
500mm	110	122	1630	10	286
600mm	110	122	1850	10	356
700mm	110	122	2050	10	460
800mm	120	132	2270	10	557



**NOTES:**  
 1. All Dimensions in mm  
 2. Materials specifications as Indicated U.O.S

Itemref	Quantity	Title/Name, designation, material, dimension etc			Article No./Reference	
Drawn by A.NEL	Checked by		Material: Carbon Steel(0.40% C)	Date	Scale 1:5	
			<b>DESCRIPTION</b>			
			Part No / Name:			Edition 0