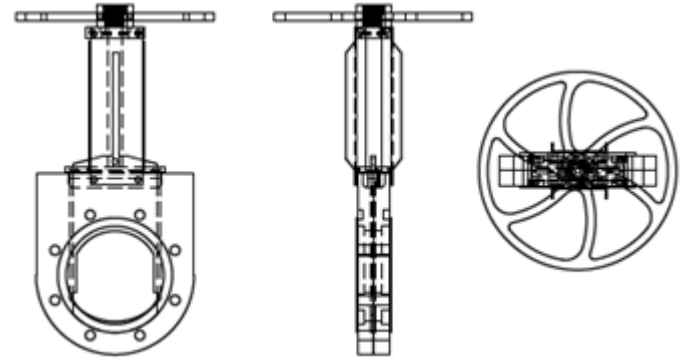
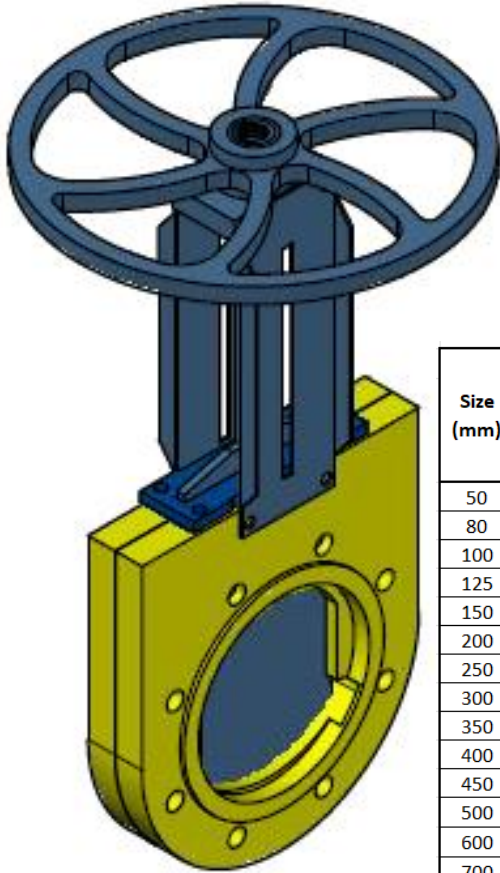


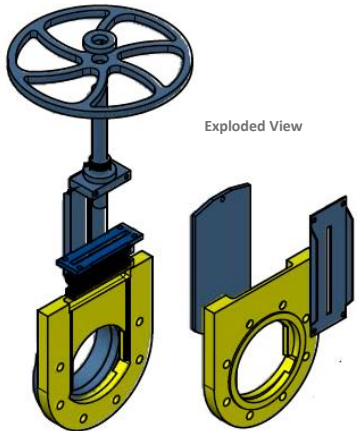
SureSeal Knife Gate Valve Lined/Unlined 10-40 Bar

Valve Material List

| | |
|----------------------|---|
| Body | S355 Carbon Steel / Stainless Steel |
| Blade | Stainless Steel 304/316/Hardened Material |
| Handwheel | Carbon Steel / Stainless Steel |
| Lining | Natural Rubber/EPDM/Polyurethane/Unlined |
| Gland | Carbon Steel / Stainless Steel |
| Pillar | Carbon Steel / Stainless Steel |
| Spindle | Stainless Steel 304 |
| Rev Nut | GM Bronze |
| Locking Device (Opt) | Mild Steel / Stainless Steel |
| Fasteners | Stainless Steel 304 |
| Deflector Cone (Opt) | Polyurethane / Stainless Steel 301/316 |




| Size (mm) | Length | 10/12/16 Bar | | | | 25 Bar | | | 40 Bar | | |
|-----------|--------|--------------|------------------|-----------------------|-----------|------------------|-----------------------|-----------|------------------|-----------------------|-----------|
| | | Unlined F/F | Rubber Lined F/F | Pressure Rating (Bar) | Mass (kg) | Rubber Lined F/F | Pressure Rating (Bar) | Mass (kg) | Rubber Lined F/F | Pressure Rating (Bar) | Mass (kg) |
| 50 | 430 | 40 | 46 | 12 | 12 | 50 | 25 | 14 | 60 | 40 | 18 |
| 80 | 430 | 44 | 50 | 12 | 12 | 60 | 25 | 14 | 70 | 40 | 18 |
| 100 | 460 | 59 | 62 | 12 | 14 | 60 | 25 | 18 | 70 | 40 | 22 |
| 125 | 560 | 70 | 78 | 12 | 29 | 80 | 25 | 35 | 90 | 40 | 40 |
| 150 | 560 | 70 | 78 | 12 | 29 | 80 | 25 | 35 | 90 | 40 | 40 |
| 200 | 740 | 72 | 80 | 12 | 38 | 80 | 25 | 47 | 90 | 40 | 55 |
| 250 | 900 | 76 | 84 | 12 | 56 | 90 | 25 | 68 | 100 | 40 | 79 |
| 300 | 1050 | 80 | 88 | 12 | 85 | 90 | 25 | 98 | 100 | 40 | 111 |
| 350 | 1170 | 96 | 104 | 10 | 95 | 105 | 25 | 110 | 116 | 40 | 132 |
| 400 | 1320 | 100 | 108 | 10 | 130 | 110 | 25 | 148 | 130 | 40 | 165 |
| 450 | 1460 | 100 | 112 | 10 | 238 | 114 | 25 | 255 | 140 | 40 | 271 |
| 500 | 1630 | 110 | 122 | 10 | 286 | 125 | 25 | 310 | 160 | 40 | 338 |
| 600 | 1850 | 110 | 122 | 10 | 356 | 130 | 25 | 382 | | | |
| 700 | 2050 | 110 | 122 | 10 | 460 | | | | | | |
| 800 | 2270 | 120 | 132 | 10 | 557 | | | | | | |
| 900 | 2520 | 120 | 132 | 10 | 658 | | | | | | |
| 1000 | 2750 | 120 | 132 | 10 | 720 | | | | | | |



Exploded View

NOTES:
 1. All Dimensions in mm
 2. Materials specifications as Indicated U.O.S

| | | | | | | |
|--|------------|--|--|------------------------------------|-----------------------|--------------|
| Itemref | Quantity | Title/Name, designation, material, dimension etc | | | Article No./Reference | |
| Drawn by A.NEL | Checked by | | | Material: Carbon Steel(0.40% C) | Date | Scale 1:5 |
|  | | | | DESCRIPTION | | |
| | | | | Part No / Name: | | |