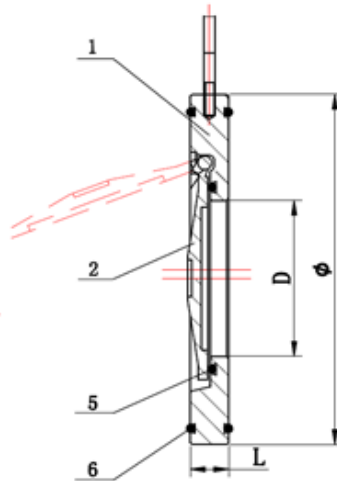
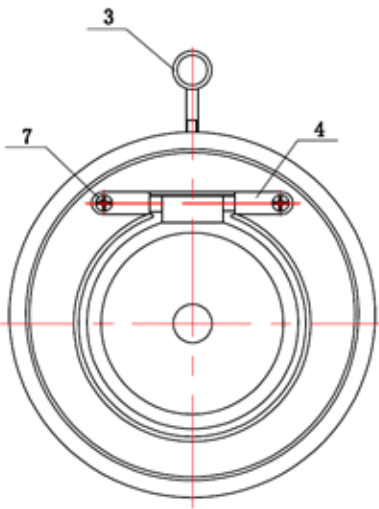


Slim Pattern Single Disc Wafer Non- Return Valve Stainless Steel

Standard Specifications

- Material: A216-WCB / CF8M
- Working Pressure: 16 Bar
- Pressure Closure Test Pressure: 17.6 Bar
- Shell Test Pressure: 24 Bar
- Working Temp: CF8M: -20°C~+135°C;
WCB: 0°C~135°C



PARTS LIST

No.	NAME	MATERIAL	QTY.	REMARK
1	BODY	CF8M WCB	1	
2	DISC	CF8M WCB	1	
3	RING	WCB	1	
4	FEMNO	SS316 WCB	2	
5	INNER GASKET	NBR EPDM VITON PTFE	1	
6	OUTER GASKET	NBR EPDM VITON PTFE	2	
7	BOLT	SS316 WCB	2	

SIZE	L	D	Φ		Weight kg/pc
			PN10	PN16	
1"	14	11.5	71		0.5
1.25"	14	17	82		0.6
1.5"	14	22	92		0.75
2"	14	32	107		0.85
2.5"	14	40	127		1.2
3"	14	54	142		1.4
4"	18	70	162		2.5
5"	18	92	192		2.8
6"	20	114	218		4.2
8"	22	154	273		6.9
10"	26	200	328	329	12.5
12"	28	235	378	384	17.5
14"	38	280	438	444	30
16"	44	316	489	491	41
18"	50	360	532	550	66
20"	56	405	585	610	91
24"	62	486	690	724	138