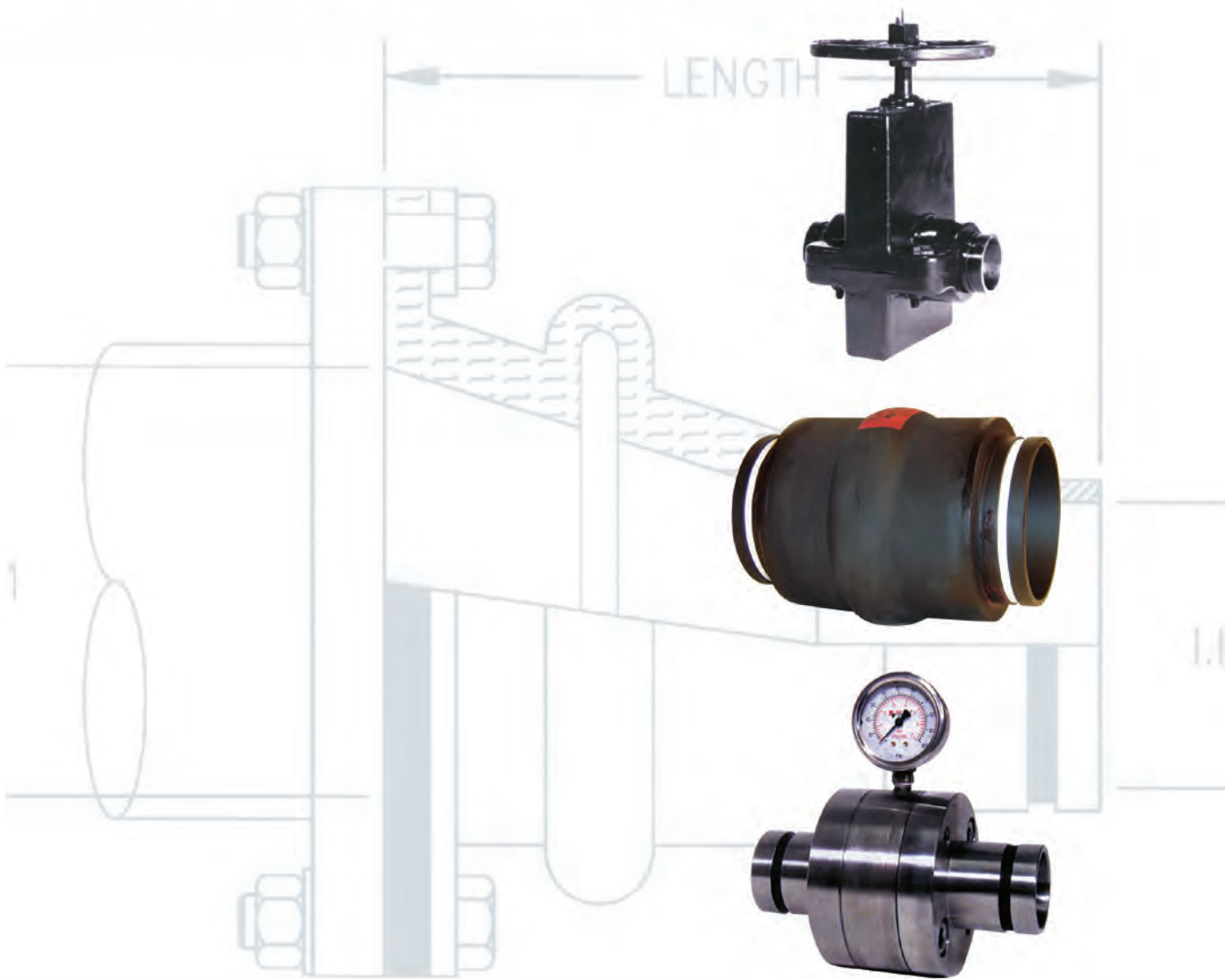




Red Valve

Get In the
Groove



Eliminate Flanges for Grooved End Systems

Series 85

Manual Pinch Valve with Grooved Ends



- ▶ Grooved end connections for easy installation
- ▶ No packing to maintain, ever
- ▶ 100% full port
- ▶ Seals on entrapped solids



Red Valve Series 85 Manual Pinch Valve is the same construction as our Series 75 Manual Pinch Valve except it is provided with grooved end connections.

The mining industry in particular and the sewage treatment plants have complete piping systems with grooved end fittings.

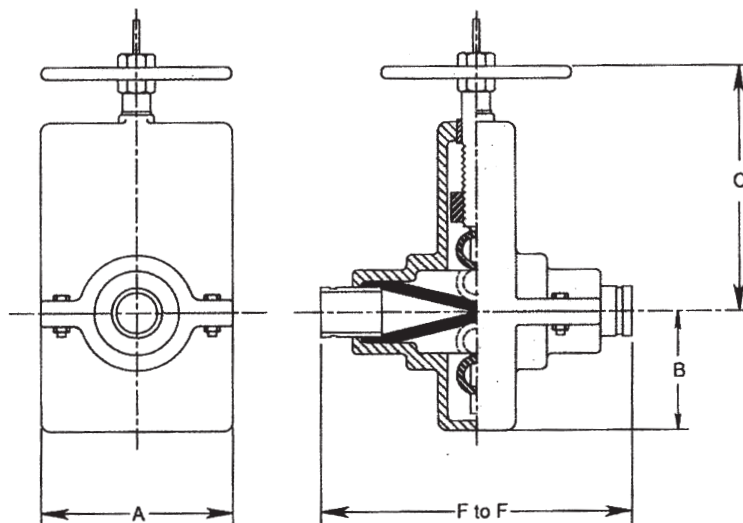
To date, many Red Valve products are installed in these grooved end piping systems with adapters.

The Series 85 Manual Pinch Valve now makes available, a direct connection to eliminate conversion.

The Series 85 Manual Pinch Valves are available with various actuators including bevel gears, pneumatic, hydraulic, and electric actuators. Chainwheel for above grade and stem extensions for below-grade service, AWWA nuts, and limit switches are also available.

Materials of Construction

- ▶ Body
150# Cast Iron
- ▶ Grooved Ends
Carbon Steel, 304 or 316 SS, PVC
- ▶ Sleeve Material
Pure Gum Rubber, Neoprene, Hypalon, Polyurethane, Buna-N, Viton, EPDM



Valve Size	Length F to F	Width A	Height		Working Pressure (psi)	Width A
			B	C		
2"	10.5"	7-1/2"	4-1/2"	11-7/8"	150	25
3"	13-1/2"	9-1/2"	5"	13-1/2"	150	60
4"	16"	10-1/2"	5-1/4"	14-1/4"	150	80
6"	18"	15-1/8"	7-7/8"	22-7/8"	150	150
8"	21"	29-7/8"	9-1/4"	28-1/4"	125	300
10"	26"	24"	10"	30-1/4"	100	450
12"	30"	27-1/2"	11"	32-1/4"	100	520

Series J-1W-G Wide Arch Grooved Ends



- ▶ Up to 3x more movement
- ▶ Less force required to move



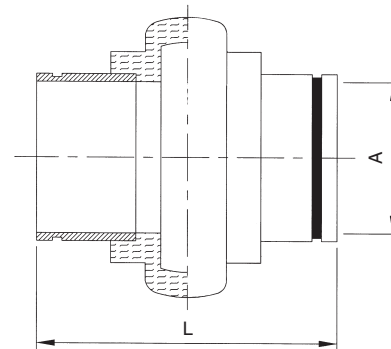
Red Valve Company now offers wide-arch expansion joints with grooved ends. This series, except end connections, is similar to J-1W Wide-Arch Joints which permits greater movement capabilities than the standard J-1 Expansion Joints.

J-1W-G Expansion Joints can be used to alleviate more extreme expansion and compression stresses without the need for double or triple arches. The wide-arch design also reduces the amount of force required to cause movement in the expansion joint while allowing the J-1W-G to be used under the same working pressures as the standard J-1. These features and benefits of the J-1W-G Wide-Arch Expansion Joint result in a cost savings for both new installations and for replacement operations.

MATERIALS OF CONSTRUCTION

- ▶ **Elastomers**
Pure Gum Rubber, Neoprene, Hypalon®, Chlorobutyl, Buna-N, EPDM, and Viton®
- ▶ **Vacuum Rating**
15 in. Hg. — Full Vacuum Available

This, along with built-in grooved ends, offers users more savings and a great product. Control rods to prevent over expansion are available.



Size A	Length L	Axial Compression	Axial Elongation	Lateral Deflection	Standard W.P.
*1"	8"	1-3/4	3/4	3/4	165 psi
*1-1/2"	8"	1-3/4	3/4	3/4	165 psi
2"	8"	1-3/4	3/4	3/4	165 psi
3"	8"	1-3/4	3/4	3/4	165 psi
4"	10"	1-3/4	3/4	3/4	165 psi
6"	12"	1-3/4	3/4	3/4	140 psi
8"	13"	1-3/4	3/4	3/4	140 psi
10"	15"	1-3/4	3/4	3/4	140 psi
12"	16"	1-3/4	3/4	3/4	140 psi

*Filled arch only

Series 43

Pressure Sensor - Grooved Ends



- ▶ In-line Maintenance, flushed or rodded clean
- ▶ Protects and isolates instrumentation
- ▶ Available with pressure switches and or gauges
- ▶ Self cleaning, flexing action
- ▶ Accuracy $\pm 2\%$ of installed instrument



Red Valve's pressure sensors are now available with grooved ends. This Series 43 was designed to meet the demands of users of grooved end piping systems in the sewage and mining markets. It is currently available in popular sizes - 2", 3", and 4". Other sizes are available upon request.

The Series 43 Pressure Sensor can be furnished with side-or front-mounted gauge.

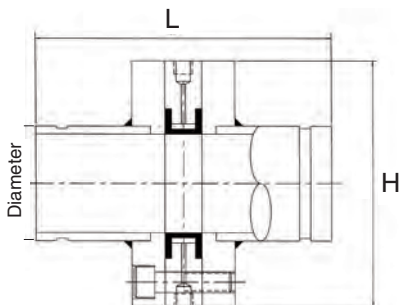
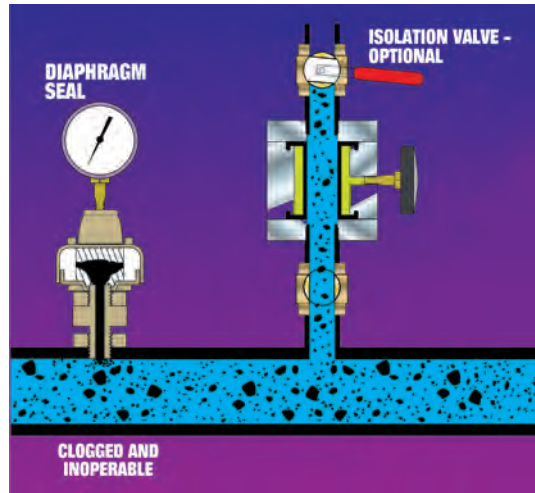
The Series 43 Diaphragm Seal Pressure Sensor offers the user an in-line sensor easily installed in his piping system. When installed perpendicular to the pipeline, the Series 43 Diaphragm Seal can be flushed or rodded clean.

Available factory-filled with complete instrumentation including pressure gauges, pressure switches, and transmitters.

The Only Pressure Sensor That Can Be Flushed Without Removal From The Line

Materials of Construction

- ▶ **Body**
Carbon Steel, Stainless Steel
- ▶ **Sleeve Material**
Pure Gum Rubber, Neoprene, Hypalon
Chlorobutyl, Polyurethane, Buna-N, Viton,
and EPDM
- ▶ **Sensing Liquid**
Vegetable Oil, Distilled Water, Silicone Oil



Dimensions Series 43

Diameter	L	H	Working Pressure (psi)*
2"	8"	5"	300
3"	9"	7.5"	300
4"	12"	9"	300