

Series 5200E

Electrically Actuated Control Pinch Valve



- ▶ Electric actuation provides precise, accurate control
- ▶ Sleeve is the only wetted part, so breakaway torques remain constant
- ▶ Bi-directional, drop-tight shutoff
- ▶ Enclosed rising stem design

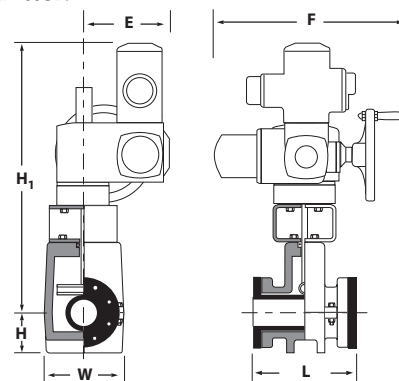
The Series 5200E Electrically Actuated Control Valve is a reliable, maintenance-free, cost-effective valve, designed for tough slurry and abrasive applications. There are no seats to grind, no stuffing boxes to repack and no packing glands to adjust, ever. The rugged, self-cleaning elastomer sleeve isolates all mechanical parts of the valve, so the breakaway torque remains constant.

Red Valve Series 5200E Electrically Actuated Control Valves are actuated by AUMA, Limatorque or Rotork electric operators as a standard and include heaters, thermostats, position indicators and indication lights. Other electric motor operators are available upon request. Declutch and override components are furnished as standard. Controls can be furnished as an integral part of the electric operator or as a separate unit for a remote station. Optional features include: NEMA 7 explosion-proof construction, proportioning control from a 4-20 mA instrument signal and 4-20 mA output transmitter.



Materials of Construction

- ▶ Ductile iron body
- ▶ Sleeves available in Pure Gum Rubber, Neoprene, Hypalon®, Chlorobutyl, Buna-N, EPDM and Viton®
- ▶ Drilled and tapped to mate with ANSI B16.5 Class 150 flanges
- ▶ AUMA, Limatorque, Rotork and other electric actuators available



SERIES 5200E - MODULATING ACTUATOR

VALVE SIZE*	LENGTH L	WIDTH W	HEIGHT		ACTUATOR WIDTH E**	ACTUATOR LENGTH F**	WORKING PRESSURE psi	WEIGHT lbs
			H	H ₁ **				
1"	7-1/4"	6"	2-7/16"	28-1/8"	9-1/3"	19-1/2"	150	87
1-1/2"	8-3/4"	8"	2-3/4"	28-1/4"	9-1/3"	19-1/2"	150	131
2"	10"	8"	3-1/2"	28-3/8"	9-1/3"	20-3/8"	150	164
2-1/2"	10-7/8"	9"	4"	29-5/8"	9-3/4"	21-1/8"	150	207
3"	11-3/4"	11-1/2"	4-1/4"	30-13/16"	9-3/4"	21-1/8"	150	240
4"	13-7/8"	13-1/2"	6-5/8"	34-1/8"	11-1/4"	27-3/4"	150	356
6"	17-3/4"	16-7/8"	7-5/8"	35-1/8"	11-1/4"	28"	150	443
8"	21-3/8"	19-7/8"	9-1/8"	37-7/8"	12-1/8"	33-7/8"	125	675
10"	26-1/2"	23-1/2"	11"	39-13/16"	12-1/8"	33-7/8"	100	810
12"	29"	27-1/2"	11-3/16"	40-5/8"	12-1/8"	33-7/8"	100	999
14"	28"	31"	14"	42-13/16"	12-1/8"	33-7/8"	75	1,490
16"	32"	34"	15"	43-13/16"	12-1/8"	33-7/8"	50	1,890
18"	36"	44"	16-1/2"	46-1/4"	14-7/16"	36-7/16"	50	2,630
20"	40"	40"	17"	46-13/16"	14-7/16"	36-7/16"	50	3,180
24"	48"	57"	20-1/2"	74-1/4"	15-13/16"	41"	50	3,845
30"	60"	78"	20-1/2"	57"	19-1/8"	51"	50	6,930
36"	72"	94"	32"	69"	19-1/8"	51"	40	12,000
42"	84"	110"	38"	80"	20-5/8"	55-5/8"	35	19,000
48"	96"	125"	43"	92"	20-5/8"	55-5/8"	30	28,500
54"	108"	141"	49"	104"	20-5/8"	55-5/8"	25	40,000

* Sizes over 4" are D-Port design.

** Dimensions are based on AUMA and are for reference only. Contact factory for exact dimensions.

For larger valve sizes up to 72", consult factory.