

# Quarter Turn Pinch Valve



Red Valve's Quarter-Turn Pinch Valve offers the following exceptional features:

- ▶ Lightweight, compact body
- ▶ 100% full port
- ▶ Sleeve is only wetted part, which results in cost savings in not having to purchase materials
- ▶ Heavy-duty reinforced sleeve design to 150 psi
- ▶ No packing to maintain
- ▶ One replacement part

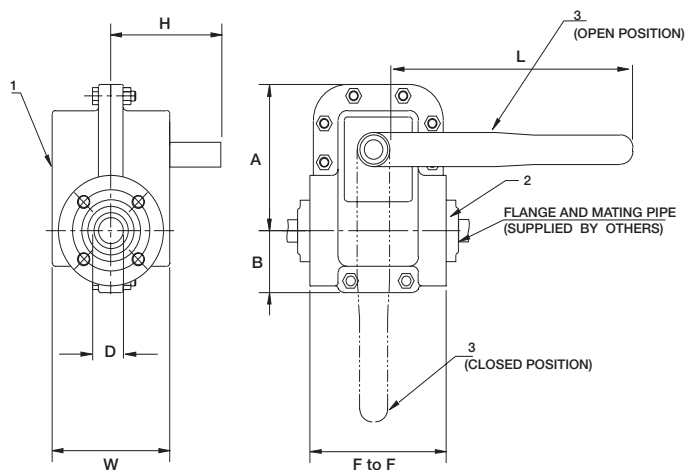
The Quarter Turn Pinch Valve has a ten stop hand lever with ten steps between the full-open and full-closed positions.

The body is gasketed and sealed to prevent loss of fluid in the event of sleeve penetration. Gasket and "O" ring material is equal to or better than sleeve material for chemical compatibility and temperature range.

The Quarter Turn Pinch Valve comes with ANSI 125/150 connections. Food grade is available with Ladish Tri-Clamp/Tri-Clover end connections. The valve is available with manual, pneumatic and electric actuation.

## Materials of Construction

- ▶ **BODY:** Ductile iron, optional 316SS
- ▶ **END CONNECTIONS:** ANSI 125/150, optional Food Grade Ladish Tri-Clamp
- ▶ **SLEEVE:** Full port, optional cone sleeve, PGR, EPDM, Viton®
- ▶ **ACTUATION:** Manual, pneumatic or electric on/off and throttling with positioner
- ▶ **OPERATING MECHANISM:** Quarter turn toggle mechanism



SIZE D	LENGTH F to F	HANDLE LENGTH L	A	B	H	W
1/2"	5-1/2"	10.3"	5"	2"	3-1/2"	4"
1"	5-1/2"	10.3"	5.38"	2.13"	4.63"	4-3/4"
1-1/2"	6-1/2"	10.3"	10"	4"	6-1/2"	8"
2"	7"	14"	10"	4"	6-1/2"	8"