

SERIES 48



Red Valve Company, Inc.

- ▶ Wafer design reduces costs
- ▶ Protects and isolates instrumentation
- ▶ Fits ANSI 150 and 300 flanges
- ▶ Lightweight design



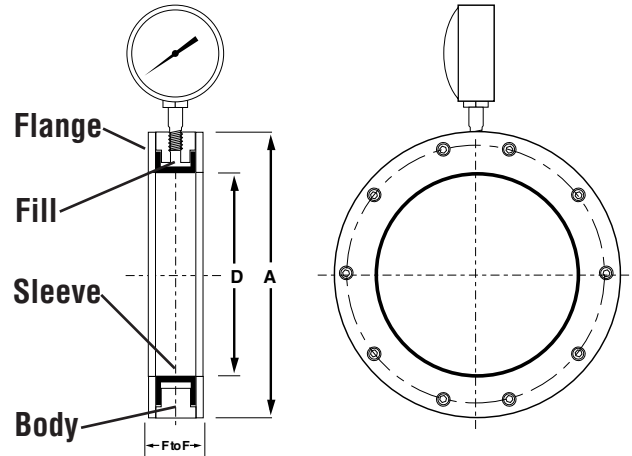
Red Valve's Series 48 Pressure Sensor protects and isolates instrumentation, eliminating plugging and fouling that can occur in slurry and hard-to-gauge liquid applications. The economical Series 48 is designed to fit inside the bolt pattern of the pipe flanges, allowing for ease of installation and reducing the size of the unit. Series 48 sensors are designed to fit Class 150 and 300 flange drilling, DIN or BS NP10 piping systems.

Reliable, accurate instrument readings are often difficult or even impossible to obtain in pipelines carrying slurry, solids or chemical process. Standard diaphragm seals are vulnerable to plugging by debris or deposits and only give a pressure reading from one small area. With the Series 48 Pressure Sensor, these problems are eliminated.

The principle of operation is that line pressure is sensed through a flexible rubber sleeve which is a full 360° circumference of the pipe I.D. The captive fluid is displaced through the Series 48 Pressure Sensor body to the instrument's Bourdon tube. All instrumentation is protected from the process, which ensures accurate, repeatable readings.

Materials of Construction

- ▶ Carbon Steel, 316 Stainless Steel Body
- ▶ Flanges: Carbon Steel, 316 Stainless Steel, PVC or Teflon®-coated Carbon Steel
- ▶ Sleeves available in Pure Gum Rubber, Neoprene, Chlorobutyl, Buna-N, Hypalon®, Viton®, EPDM, White Food-Grade Elastomers, Teflon®-coated Buna-N or Teflon®-coated Viton®
- ▶ Fill fluid: silicone oil. Contact factory for other fill options.



Dimensions Series 48

Size D	Outside Diameter A	Length F to F	100°F Working Pressure (psi)*	Weight (lbs)
2"	4"	1 7/8"	720	3
2 1/2"	4 3/4"	1 7/8"	720	5
3"	5 1/4"	1 7/8"	720	6
4"	6 3/4"	2 1/8"	720	9
6"	8 5/8"	2 1/4"	720	12
8"	10 7/8"	2 1/2"	720	16
10"	13 1/4"	2 3/4"	720	22
12"	16"	3"	720	25
14"	17 5/8"	3"	720	50
16"	20"	3"	720	60
18"	21 1/2"	3"	720	70
20"	23 3/4"	3"	720	80
24"	28 1/8"	3"	720	115
30"	34 5/8"	3"	720	150
36"	41 1/8"	4"	720	248
42"	47 1/8"	4"	720	319
48"	54 3/8"	4"	720	392

*Higher working pressures available. PVC unit has a working pressure of 200 psi