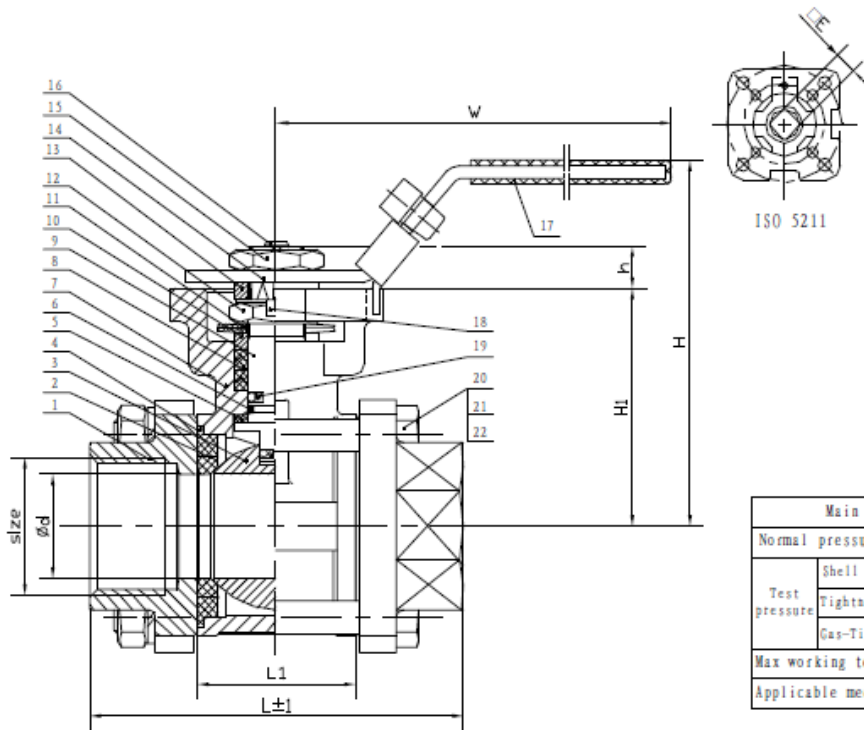


# Ball Valve 3-PC S/Steel 1000psi Threaded BSP - ISO Pad/Lever Operated



Main Technical Parameter		
Normal pressure	6.3	MPa
Test pressure	Shell test pressure	9.5
	Tightness test	6.9
	Gas-Tightness test	0.6
Max working temperature	-20~160	°C
Applicable medium: water, gas, oil, acid		

SIZE	DN(mm)	L	L1	Ø	H	H1	h	W	□E	ISO 5211
1/4"	8	60	22	10.5	58	31	7.5	110	9	F03/F04
3/8"	10	60	22	12	58	31	7.5	110	9	F03/F04
1/2"	15	75	27	15	67	40	8	110	9	F03/F04
3/4"	20	80	33	20	73	46	8	110	9	F03/F04
1"	25	90	38	25	88	57	10	160	11	F04/F05
1 1/4"	32	110	50	32	95	64	10	160	11	F04/F05
1 1/2"	40	120	54	38	107.5	71	14	185	14	F05/F07
2"	50	140	68	50	118.5	82	14	185	14	F05/F07
2 1/2"	65	185	85	65	168	98	16	305	17	F07/F10
3"	80	205	99	78	178	110	16	305	17	F07/F10
4"	100	240	130	100	198	130	18	305	19	F07/F10

22	Nut	A194-8	A194-8	A194-8
21	Spring Washer	A276 304	A276 304	A276 304
20	Bolt	A193-88	A193-88	A193-88
19	Anti-static device	A276 304	A276 304	A276 304
18	Thrust Washer	A276 304	A276 304	A276 304
17	Handle sleeve	Plastic	Plastic	Plastic
16	Stop Pin	A276 304	A276 304	A276 304
15	Nut	A194-8	A194-8	A194-8
14	Handle	A276 201	A276 201	A276 201
13	Packing Gland	A276 304	A276 304	A276 304
12	Stem Nut	A194-8	A194-8	A194-8
11	Butterfly Spring	A276 304	A276 304	A276 304
10	Packing Gland	A276 304	A276 304	A276 304
9	Stem	A276 304	A276 304	A276 316
8	Packing	PTFE	PTFE	PTFE
7	Body	A216 WCB	A351 CF8	A351 CF8M
6	O-Ring	Viton	Viton	Viton
5	Stem Gasket	PTFE	PTFE	PTFE
4	Gasket	PTFE	PTFE	PTFE
3	Ball	SS304	SS304	SS316
2	Seat	PTFE	PTFE	PTFE
1	Bonnet	A216 WCB	A351 CF8	A351 CF8M
No.	Parts name	Material		

### TECHNICAL SPECIFICATION

- 1 Basic design and manufacture according to ANSI B16.34;
- 2 Adjustable packing gland, Bottom-loaded blow-out proof stem;
- 3 NPT Threaded ends complied with ANSI B 1.20.1;
- 4 Rc, Rp&G Threaded ends complied with BS 21/2779,  
DIN 259/2999, ISO 228 are upon request;
- 5 Inspection and tested according to API598;
- 6 Face to face according to DIN3202-M3.