

2-Piece Ball Valve Stainless Steel

Class 150

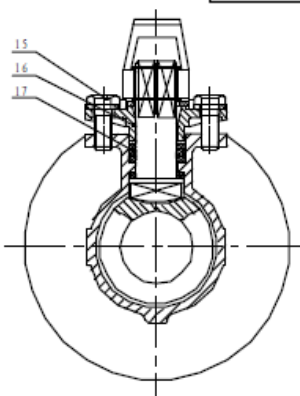
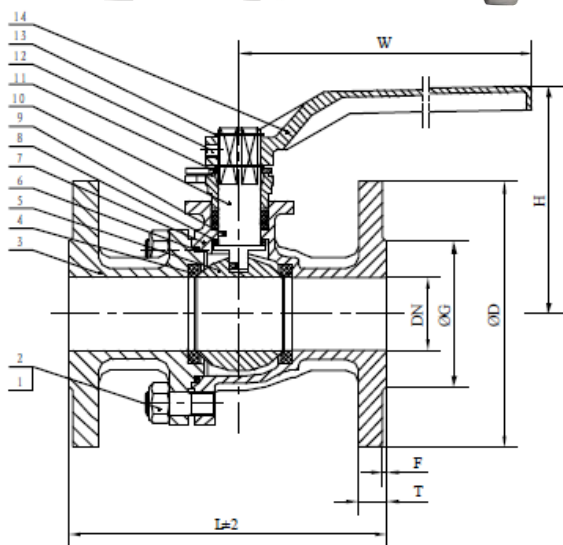
Flanges Undrilled



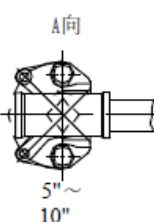
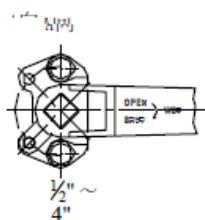
Standard Specifications

- Design & manufacture to ANSI B16.34
- Face-to-Face Dimensions ANSI B16.10
- Flange Ends comply with BS4504
- Inspection & Testing to API 598
- Working Pressure: 150lb/20Bar

Main Technical Parameter			
Normal pressure		150	Lb
Test pressure	Shell test pressure	3.0	MPa
	Tightness test	2.2	
	Gas-Tightness test	0.6	
Max working temperature		-20 ~ 180	°C
Applicable medium : water, gas, oil, acid			



SIZE	DN (mm)	D	G	T	F	L	H	W
1/2	15	95	45	14	2	108	77.5	150
3/4	20	105	58	16	2	117	79	150
1	25	115	68	16	2	127	88	150
1 1/4	32	140	78	16	2	140	100	170
1 1/2	38	150	88	16	3	165	122	230
2	50	165	102	18	3	178	130	230
2 1/2	65	185	122	18	3	190	148	230
3	78	200	138	20	3	203	167	305
4	100	220	158	20	3	229	188	305
5	125	250	188	22	3	356	238	500
6	150	285	212	22	3	394	278.5	645
8	200	340	268	24	3	457	329	845
10	250	405	320	26	3	533	395	1335



No.	Parts name	Material
1	Stud	A193-B8
2	Nut	A194-8
3	Bonnet	A351 CF8M
4	Seat	PTFE
5	Ball	SS316
6	Gasket	PTFE
7	Body	A351 CF8M
8	Stem gasket	PTFE
9	Anti-static device	A276 304
10	Stem	A276 F316
11	Locating piece	A276 304
12	Screw nail	A193-B8
13	Ring washer	A193-B8
14	Handle	SS201
15	Hex bolts	A193-B8
16	Packing gland	A351 CF8M
17	Packing	PTFE