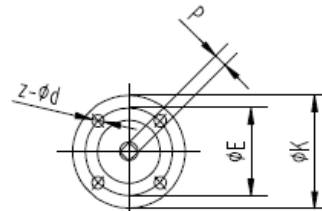
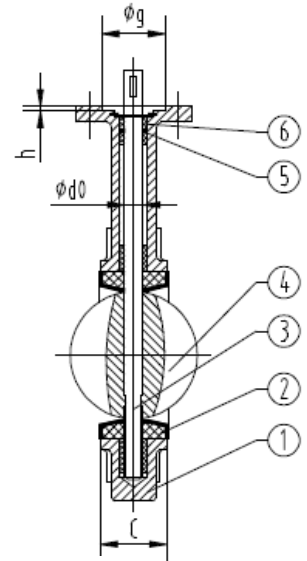
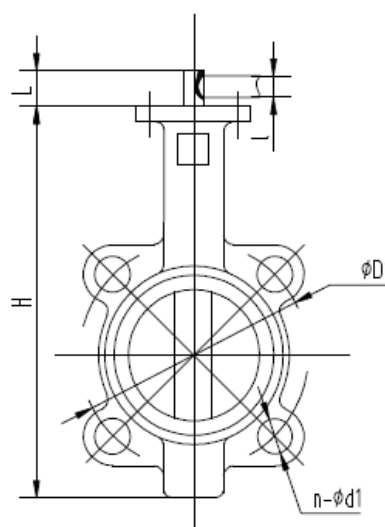




Butterfly Valve - Stainless Steel Body & Disc / PTFE Seat / T10 FL



DIAGONAL SQUARE HEAD

MATERIALS OF CONSTRUCTION	
Part Name	Material
Body	CF8M
Stem	SS416
Seat	PTFE
Disc	CF8M
O-Ring	EPDM
Bushing	PTFE

Nominal Pressure		1.0/1.6	Mpa
Testing Pressure	Shell	1.5/2.4	
	Sealing	1.1/1.76	

Lever Operated
50 - 250mm

Gearbox
250-600mm +

SIZE		H	C	L	P	d0	Key b×l	UPPER FLANGE					PN10		PRESSURE BAR
in	DN							K	E	z-d	g	h	D1	n-d1	
2	50	241	42	32	9	12.6	3×16	65	50	4-7	35	3	125	4-18	10
2.5	65	264	44.7	32	9	12.6	3×16	65	50	4-7	35	3	145	4-18	10
3	80	276	45.2	32	9	12.6	3×16	65	50	4-7	35	3	160	4(8)-18	10
4	100	314	52.1	32	11	15.77	5×19	90	70	4-9	55	3	180	4(8)-18	10
5	125	340	54.4	32	14	18.92	5×19	90	70	4-9	55	3	210	4(8)-18	10
6	150	365	55.8	32	14	18.92	5×19	90	70	4-9	55	3	240	4(8)-23	10
8	200	435	60.6	45	17	22.1	5×19	125	102	4-12	70	3	295	4(8)-23	10
10	250	495	65.6	45	22	28.45	8×28	125	102	4-12	70	3	350	4(12)-23	7-8
12	300	579	76.9	45	22	31.6	8×28	125	102	4-12	70	3	400	4(12)-23	7-8
14	350	635	76.5	45	22	31.6	8×28	125	102	4-12	70	3	460	4(16)-23	7-8
16	400	709	86.5	51.2	24	33.15	10×50	175	140	4-18	100	4	515	4(16)-27	7-8
18	450	750	105.6	51.2	27	38	10×50	175	140	4-18	100	4	565	4(20)-27	7-8
20	500	841	131.8	64.2	36	41.15	10×50	175	140	4-18	100	4	620	4(20)-27	7-8
24	600	1021	152	70.2	36	50.65	2-16×60	210	165	4-23	130	5	725	4(20)-30	7-8