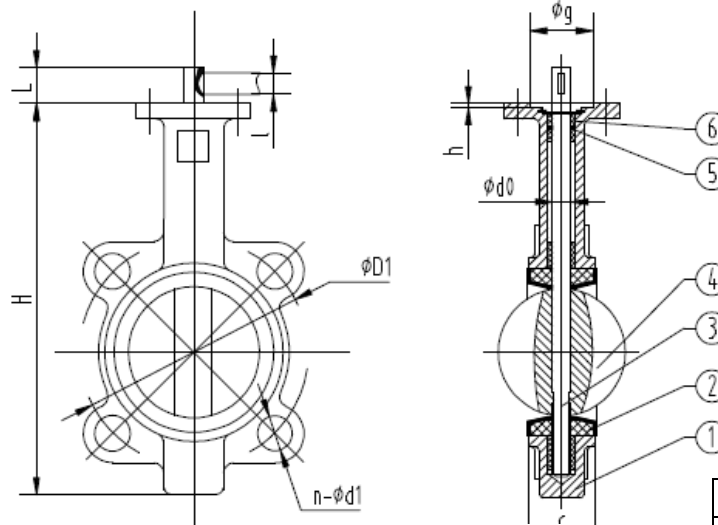


Stainless Steel Butterfly Valve PTFE Seats PN10 Wafer

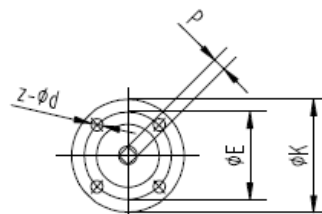


Standard Specifications

- End Connection: Wafer to suit BS4504 T10/16
- Working Pressure: PN10
- Working Temperature: -20°C~ +150°C



| | | | |
|-------------------------|----------------|----------|-----|
| Nominal Pressure | | 1.0/1.6 | Mpa |
| Testing Pressure | Shell | 1.5/2.4 | |
| | Sealing | 1.1/1.76 | |



DIAGONAL SQUARE HEAD

| MATERIALS OF CONSTRUCTION | |
|---------------------------|----------|
| Part Name | Material |
| Body | CF8M |
| Stem | SS416 |
| Seat | PTFE |
| Disc | CF8M |
| O-Ring | EPDM |
| Bushing | PTFE |

| SIZE in | DN | H | C | L | P | d0 | Key bxl | UPPER FLANGE | | | PN10 | | PRESSURE BAR | WEIGHT KG | OPER. | TORQUE (Nm) | | | |
|------------|-----|------|-------|------|----|-------|------------|--------------|-----|------|------|---|-----------------|--------------|-------|---------------|-----------------|-------------------|------------------|
| | | | | | | | | K | E | z-d | g | h | | | | D1 | n-d1 | 10 ^{Bar} | 6 ^{Bar} |
| 2 | 50 | 241 | 42 | 32 | 9 | 12.6 | 3x16 | 65 | 50 | 4-7 | 35 | 3 | 125 | 4-18 | 10 | 2.21 | Lever | 27.00 | - |
| 3 | 80 | 276 | 45.2 | 32 | 9 | 12.6 | 3x16 | 65 | 50 | 4-7 | 35 | 3 | 160 | 4(8)-18 | 10 | 3.11 | Lever | 49.50 | - |
| 4 | 100 | 314 | 52.1 | 32 | 11 | 15.77 | 5x19 | 90 | 70 | 4-9 | 55 | 3 | 180 | 4(8)-18 | 10 | 4.01 | Lever | 84.00 | - |
| 6 | 150 | 365 | 55.8 | 32 | 14 | 18.92 | 5x19 | 90 | 70 | 4-9 | 55 | 3 | 240 | 4(8)-23 | 10 | 6.23 | Lever | 199.50 | - |
| 8 | 200 | 435 | 60.6 | 45 | 17 | 22.1 | 5x19 | 125 | 102 | 4-12 | 70 | 3 | 295 | 4(8)-23 | 10 | 11.63 / 17.39 | Lever / Gearbox | 445.50 | - |
| 10 | 250 | 495 | 65.6 | 45 | 22 | 22 | 8x28 | 125 | 102 | 4-12 | 70 | 3 | 350 | 4(12)-23 | 10 | 24.39 | G/Box | 729.00 | - |
| 12 | 300 | 579 | 76.9 | 45 | 22 | 22 | 8x28 | 125 | 102 | 4-12 | 70 | 3 | 400 | 4(12)-23 | 7-8 | 32.28 | G/Box | 1048.50 | - |
| 14 | 350 | 635 | 76.5 | 45 | 22 | 22 | 8x28 | 125 | 102 | 4-12 | 70 | 3 | 460 | 4(16)-23 | 7-8 | 40.34 | G/Box | - | 789.00 |
| 16 | 400 | 709 | 86.5 | 51.2 | 24 | 24 | 10x50 | 175 | 140 | 4-18 | 100 | 4 | 515 | 4(16)-27 | 7-8 | 69.75 | G/Box | - | 1035.00 |
| 18 | 450 | 750 | 105.6 | 51.2 | 27 | 27 | 10x50 | 175 | 140 | 4-18 | 100 | 4 | 565 | 4(20)-27 | 7-8 | 82.80 | G/Box | - | 1447.50 |
| 20 | 500 | 841 | 131.8 | 64.2 | 36 | 36 | 10x50 | 175 | 140 | 4-18 | 100 | 4 | 620 | 4(20)-27 | 7-8 | 113.40 | G/Box | - | 1821.00 |
| 24 | 600 | 1021 | 152 | 70.2 | 36 | 36 | 2-16x60 | 210 | 165 | 4-23 | 150 | 5 | 725 | 4(20)-30 | 7-8 | 180.45 | G/Box | - | 2919.00 |