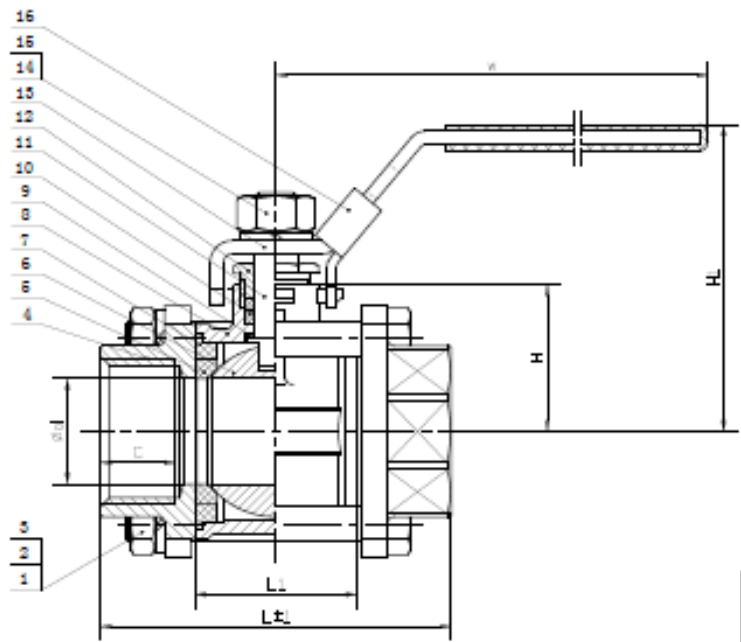


# Ball Valve 3-PC S/Steel 1000psi Threaded BSP



SIZE	φd	L	H	H1	W	C	L1
1/4	10.5	60	25	58	98	12	22
3/8	12	60	25	58	98	12	22
1/2	14	60	26	59	98	13.5	25
3/4	20	70	30.5	67	120	14	32
1	24	80	33.5	70	120	17	37
1 1/4	32	92	41	80.5	150	18	45
1 1/2	38	107	50	94	170	20	54
2	48	125	58	102	170	22	66
2 1/2	64	160	72.5	125	250	29	84
3	76	180	83	135.5	250	29.5	100
4	98	225	105	165.5	300	33	128

Main Technical Parameter		
Normal pressure	1000	PSi
Test pressure	Shell test pressure	10.5
	Tightness test	7.7
	Gas-Tightness test	0.6
Max working temperature	-20~120	°C
Applicable medium: water, gas, oil, acid		

16	Handle lock	A276 201	A276 201
15	Handle nut	A194-8	A194-8
14	Spring washer	A193-B8	A193-B8
13	Handle	A276 201	A276 201
12	Packing gland	A276 304	A276 304
11	Stem	A276 304	A276 316
10	Packing	PTFE	PTFE
9	Stem gasket	PTFE	PTFE
8	Body	A361 CFB	A361 CFBM
7	Gasket	PTFE	PTFE
6	Ball	SS304	SS316
5	Seat	PTFE/MPTFE	PTFE/MPTFE
4	End cap	A361 CFB	A361 CFBM
3	Nut	A194-8	A194-8
2	Spring washer	A193-B8	A193-B8
1	Bolt	A193-B8	A193-B8
No.	Parts name	Material	

### TECHNICAL SPECIFICATION

- 1 Basic design and manufacture according to ANSI B16.34;
- 2 Adjustable packing gland, Bottom-loaded blow-out proof stem;
- 3 Nc, NPS threaded ends complied with BS 21/2779, DIN 289/2999, ISO 228-1, AS1722. 1/1722. 2 are upon request;
- 4 Inspection and tested according to API698.

