

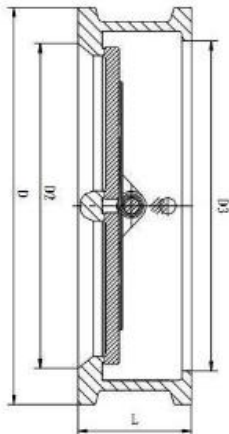
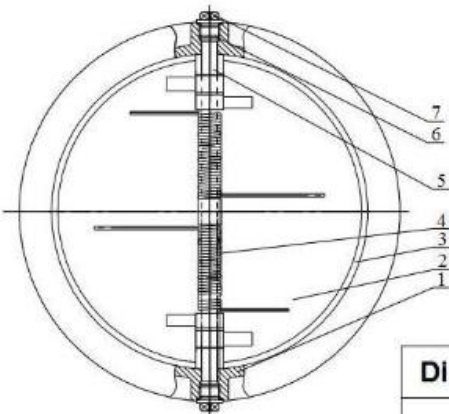
Double Door Wafer Non- Return Valve Stainless Steel



Standard Specifications

- Material: A216-WCB / CF8 / CF8M
- Flange End: DIN Standard
- Pressure: PN16/PN25

Performance Specifications			Product Specification	
Pressure	1.6/2.5MPa		Design Spec	GB/T12221-1989
Shell Test	Water	2.4/3.8 MPa	Face to Face	GB/T12221-2005
Seal Test	Water	1.8/2.8 MPa	Flange End	Wafer Type
Working Temp	-29~300°C		Test & Check	GB/T13927-92
Applicable Medium	Water, steam, oil, etc		Standard	DIN Standard
7	Bolt/Nut		SS304	
6	Washer		SS304	
5	Shaft		SS304/SS316	
4	Spring		SS304/SS316	
3	Seat		Metal to Metal	
2	Disc		WCB/CF8/CF8M	
1	Body		WCB/CF8/CF8M	
Item No	Part Name		Material	



Dimensions and Connection Size of Dual Plate Check Valve (Unit: mm)

PN16					PN25				
DN	L	D	D2	D3	DN	L	D	D2	D3
50	60	108	51	56	50	60	108	51	56
65	67	128	65	73	65	67	128	65	73
80	73	142	80	88	80	73	142	80	88
100	73	162	102	108	100	73	168	102	108
125	86	192	127	132	125	86	194	127	132
150	98	218	152	160	150	98	224	152	160
200	127	273	203	210	200	127	284	203	210
250	146	329	254	266	250	146	341	254	266
300	181	384	305	310	300	181	401	305	310
350	184	444	350	355	350	184	458	350	355
400	191	496	400	405	400	191	515	400	405
450	203	556	450	455	450	203	565	450	455
500	219	618	500	505	500	219	622	500	505
600	222	732	600	605	600	222	732	600	605