



## About Us

YFM, founded in 1989, is a high-tech enterprise specialising in the manufacture of corrosive resistant products for industrial applications. These include a wide range of valves, pipes and fittings lined with PTFE, PFA, FEP and PP that meet the requirements of all recognised international standards.

The products are widely used in the petrochemical, chemical, pharmaceutical, dyeing, power generation, pulp and paper, shipbuilding, mining, water treatment, metallurgy and process industries.

YFM's factories locate in Wenzhou and Fujian in china, which cover an area of 60,000 m<sup>2</sup> with an annual output of 160,000 pieces. Branches and an after-sales service network have been established throughout China and international markets to provide a fast-response time to customer's requirements.

YFM is an ISO 9001:2008 approved company and all its products are PED compliant and can be CE marked where required. YFM also conducts 100% quality control tests on all incoming materials to ensure the constant quality and zero defect of its products.

We extend you a warm welcome to visit our Company.



# Engineering case

All these fluorine lined products are widely used in:

- petrochemical
- chemicals
- pharmaceutical
- dyeing
- electric power
- shipbuilding
- metallurgy
- military industry
- associated process industries





## Teflon Lined Ball Valve

This product lined with fluorine-plastic, equipped with new type structure of lever ball body and as well as the unique elastic lip-sealing seat has he hi-sealed performance and lower torque of operation within the large pressure difference and temperature variation range. This product can be acted as switch or adjustment to carry the Liquid and gas (including the vapor) in various industrial pipes with strong corrosion such as acid, alkaline and salt, etc.

The full diameter valve can provide maximum flux and also can be used to clean or cut off the pipe.

Applicable temp:-80℃~200℃

Actuator: Handle、Worm gear actuator、Electric actuator、Pneumatic actuator.

## Valve Material For Main Parts

Name	Material		
	Carbon steel	Alloy steel	Stainless acid-resisting steel
Body Bonnet	Cast steel WCB	ZG1CrMo	ZG1Cr18Ni9Ti
Stem	Cast steel WCB	ZG1CrMo	ZG1Cr18Ni9Ti
Gland Stuffing disc	Cast steel WCB	ZG1CrMo	ZG1Cr18Ni9Ti
Seat	RPTFE		
Packing	PTFE		
Wrench	Cast steel WCB		

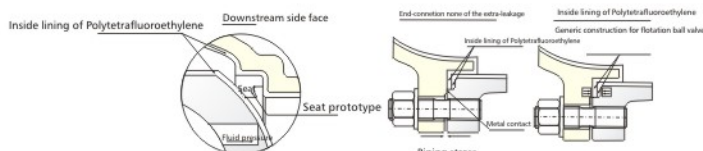
Nominal Diameter	mm	15	20	25	32	40	50	65	80	100	125	150	200
	inch	1/2	3/4	1	1 1/4	1 1/2	2	2 1/2	3	4	5	6	8
PN10, 16MPa Class150	N-M	3	5	9	12	16	25	50	65	125	250	370	600
PN2.5, 4.0MPa Class300	N-M	7	11	18	26	28	60	120	160	280	550	850	1400

## The unique sealing seat design

The first contacting parts of ball body and sealing seat can be formed into suspended-arm and lip-edge, such as unique design can form a buffering area between the body and sealing ring and automatically compensate the leakage caused by the abrasion of seat, the abrupt variation of temperature and pressure and the deformation of the character of PTFE, moreover, improving the performance of seal and prolong the life span.

## End-connection design, none of the extra-leakage

The connecting parts of body and bonnet, body and stuffing are sealed with pad, especially, in least the leakage of the connecting parts from hi-temperature or vibration, we design the metal - metal contact between the body and deck, body and stuffing so as to form the fixed flange to prevent the leakage.



PTFE Lined Three way ball valve



PFA Lined Ball Valve



PFA Lined Ball Valve



Electric Operated PFA Lined Ball Valve



Pneumatic Operated PFA Lined Ball Valve



Electric Operated PFA Lined Ball Valve



Pneumatic Operated PFA Lined V-shaped Ball Valve



Pneumatic Operated PFA Lined Ball Valve

## Teflon Lined Ball Valve

### The dimensions list for Polytetrafluoroethylene lining butterfly valve

Products features

#### TECHNICAL SPECIFICATION

**Design standard:** HG/T3704 Q/ WYFM02-2000  
company standard

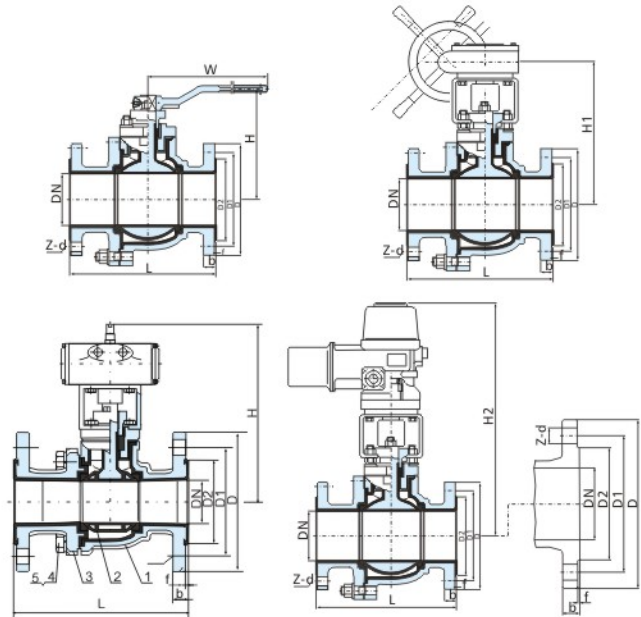
**End-to-end dimension:** GB/T12221 ASME B 16.10

**Flange standard:** GB/T9113.1 JB/T79.1 ASME B 16.5

**Nominal pressure:** 1.0, 1.6Mpa, 150Lb, JIS 10K

**Inspection and testing:** JB/T9092 GB/T13927 API598

**Mode of driving:** Lever, Electric Actuator, Pneumatic Actuator



Unit: mm

PN10(1.0MPa)											
DN	L	D	D <sub>1</sub>	D <sub>2</sub>	Z-d	f	b	W	H	H1	Wt(Kg)
15	132	95	65	45	4-14	2	14	140	100	—	3.5
20	142	105	75	55	4-14	2	14	160	105	—	4
25	150	115	85	65	4-14	2	14	200	110	—	5.5
32	165	140	100	78	4-18	3	16	200	130	—	7
40	180	150	110	85	4-18	3	16	220	135	—	9
50	200	165	125	100	4-18	3	16	220	145	—	15.5
65	220	185	145	120	4-18	3	18	350	155	—	19.5
80	250	200	160	135	4-18	3	20	400	210	340	30
100	280	220	180	155	8-18	3	20	400	235	360	40
125	320	250	210	185	8-18	3	22	550	255	405	56
150	360	285	240	210	8-23	3	24	550	285	425	72
200	400	340	295	265	8-23	3	26	—	328	505	119
250	450	395	350	320	12-23	4	28	—	370	540	155
300	500	445	400	368	12-23	4	29	—	—	—	202
350	610	505	460	428	16-23	5	29	—	—	—	245
PN16(1.6MPa)											
DN	L	D	D <sub>1</sub>	D <sub>2</sub>	Z-d	f	b	W	H	H1	Wt(Kg)
15	132	95	65	45	4-14	2	15	140	100	—	3.5
20	142	105	75	55	4-14	2	16	160	105	—	4
25	150	115	85	65	4-14	2	16	200	110	—	5.5
32	165	140	100	78	4-18	3	16	200	130	—	7
40	180	150	110	85	4-18	3	17	220	135	—	9
50	200	165	125	100	4-18	3	18	220	145	—	15.5
65	220	185	145	120	4-18	3	20	350	155	—	19.5
80	250	200	160	135	8-18	3	22	400	210	340	30
100	280	220	180	155	8-18	3	24	400	235	360	40
125	320	250	210	185	8-18	3	26	550	255	405	57
150	360	285	240	210	8-23	3	28	550	285	425	73.5
200	400	340	295	265	12-23	3	30	—	328	505	121
250	450	405	355	320	12-25	4	30	—	370	540	159
300	500	460	410	375	12-25	4	30	—	—	—	202
350	610	520	470	435	16-25	5	34	—	—	—	250

Remark:PN1.0MPa are designed by the standard JB/T78-59 the H of pneumatic and electronic operated valve is decided by practical application.

### Teflon Lined Ball Valve

**The dimensions list for  
Polytetrafluoroethylene lining butterfly valve**

Products features

**TECHNICAL SPECIFICATION**

**Design standard:** HG/T3704, YFM Company Standard

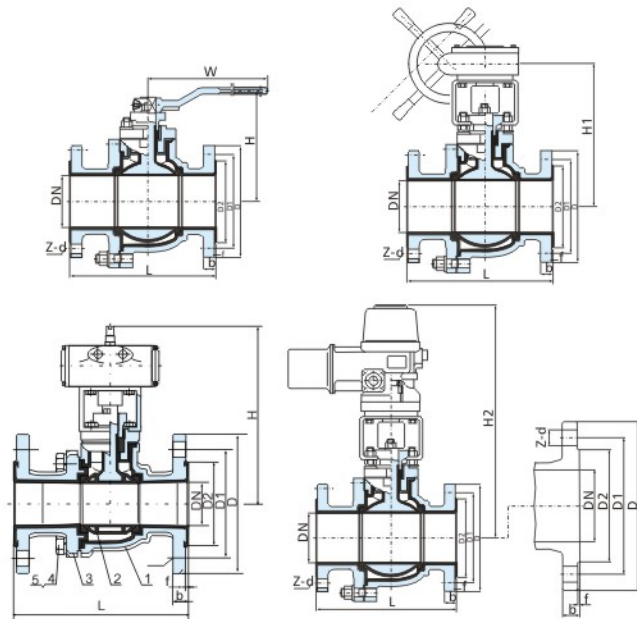
**End-to-end dimension:** ANSI B 16.10

**Flange standard:** ASME B 16.5

**Nominal pressure:** Class 150

**Inspection and testing:** API 598

**Mode of driving:** Lever, Electric Actuator, Pneumatic Actuator



Unit : mm

PN25(2.5MPa)											
DN	L	D	D <sub>1</sub>	D <sub>2</sub>	Z-d	f	b	H	W	H1	Wt(Kg)
15	140	95	65	45	4-14	2	16	100	140	-	3.5
20	152	105	75	55	4-14	2	16	105	160	-	4
25	165	115	85	65	4-14	2	16	110	200	-	5.5
32	178	140	100	78	4-18	3	18	130	200	-	7
40	190	150	110	85	4-18	3	18	135	220	-	9
50	216	165	125	100	4-18	3	20	145	220	-	15.5
65	241	185	145	120	8-18	3	22	155	350	-	19.5
80	283	200	160	135	8-18	3	22	210	400	340	30
100	305	235	190	160	8-23	3	24	235	400	360	44
125	381	270	220	188	8-25	3	28	255	550	405	63
150	403	300	250	218	8-25	3	30	285	550	425	79
200	419	360	310	278	12-25	3	34	328	-	505	124
250	457	425	370	332	12-30	4	36	370	-	540	162
300	500	485	490	390	16-30	4	42	510	-	-	220
Class150											
1/2	110	89	60.5	35	4-15	2	12	100	140	-	3.5
3/4	117	98	70.0	43	4-15	2	12	105	160	-	4
1	127	108	79.5	51	4-15	2	12	110	200	-	5.5
1 1/4	140	117	89.0	64	4-15	2	13	130	200	-	7
1 1/2	165	127	98.5	73	4-15	2	15	135	220	-	9
2	178	152	120.5	92	4-19	2	16	145	220	-	15.5
2 1/2	190	178	139.5	105	4-19	2	18	155	350	-	19.5
3	203	190	152.5	127	4-19	2	19	210	400	340	30
4	229	229	190.5	157	8-19	2	24	235	400	360	40
5	254	254	216.0	186	8-22	3	24	255	550	405	57
6	267	279	241.5	216	8-22	3	26	285	550	425	73.5
8	292	343	298.5	270	8-22	3	29	328	-	505	121
10	330	406	362.0	324	12-25	4	31	370	-	540	159
12	356	483	431.8	381	12-25	4	42	510	-	-	202



Any company interested in becoming a YFM distributor/  
agent/representative, welcome to contact us.

---

**ZHEJIANG YOUFUMI VALVE CO.,LTD.**

ADD: No.1-1 Qianjie Street High-tech Zone Longwan District  
Wenzhou City Zhejiang Province China

TEL: +86-0577-5666 2028    +86-13738338585  
FAX: +86-0577-5666 2009

**FUJIAN YOUFUMI PUMP & VALVE CO.,LTD.**

ADD: Youfumi High-tech Park Qinyu Wendu Industrial  
Zone Fuding City Fujian Province China

E-mail: [info@china-yfm.com](mailto:info@china-yfm.com)  
Http:// [www.youfumi.com](http://www.youfumi.com)

---