



Patent No.:ZL200920142162.3

### ※Product Description

- Youfumi lined strainer is the corrosion resistant equipment that used in a variety of corrosive services for the removal of debris from the pipeline or solid particles from the media.
- The unique design allows the strainer to be easily removed for cleaning or replacement. Impurity substance stops at PTFE screen so that the purity flow can go through the strainer. After a period of time, take out the dismantlable filter screen tub, and it can be reassembled after cleaning. Therefore it is easy maintenance.
- Youfumi has various filter structure design with replaceable filter parts, and standard flange connection.
- Screen size of Youfumi lined strainer ranges from 16 to 100 meshes, and 16 meshes as standard.
- By far the lined strainer is widely used in petroleum, chemical pharmaceutical and environmental protection industries. It can not only enlarge the lifespan of pump and other equipment, but also ensure the safety of the complete system. Lined strainer becomes the indispensable equipment for industrial production.



Lined Y-Type Strainer GL41

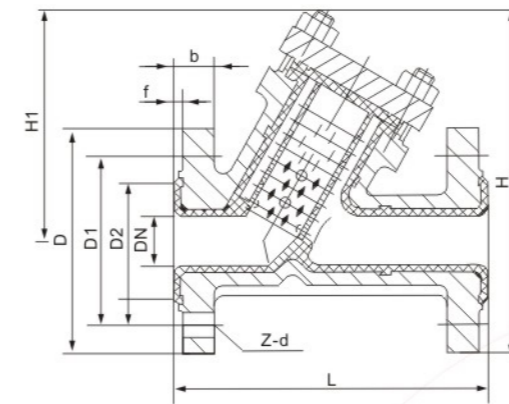
### ※Technical Specification

Nominal Diameter	DN15~DN350 1/2"~14"				
Nominal Pressure	PN10, PN16, Class150				
Design & Manufacture Standard	HG/T 21637				
Flange Standard	HG/T 20592, ASME B16.5, DIN, JIS				
Inspection & Test Standard	GB/T 13927, API 598				
Liner Inspection	Spark test 10-20KV				
Filter	PTFE				
Liner material	PTFE	PO	PP/PE	PFA	ETFE
Temperature Range(°C)	-30~180	-20~80	-20~80	-30~200	-20~150



Lined Basket Type Strainer DTGF

### Lined Y-type Strainer

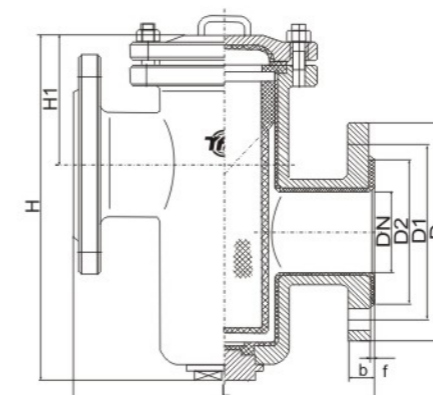
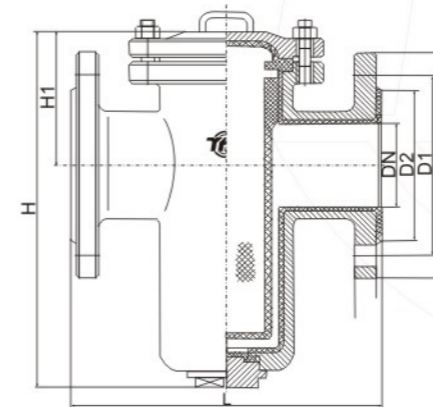


HG/T 20592 PN10

Unit:mm

DN	NPS	L	D	D1	D2	b	f	H1	H	Z-d	Wt(kg)
20	3/4	150	105	75	55	16	2	70	122	4-14	3.3
25	1	160	115	85	65	16	2	78	135	4-14	4.2
32	1 1/4	180	140	100	78	18	2	86	154	4-18	6.6
40	1 1/2	200	150	110	85	18	3	92	164	4-18	7.3
50	2	230	165	125	100	20	3	102	182	4-18	12
65	2 1/2	290	185	145	120	20	3	115	205	4-18	16
80	3	310	200	160	135	22	3	135	232	8-18	23
100	4	350	220	180	155	24	3	156	263	8-18	32
125	5	400	250	210	185	26	3	248	370	8-18	39
150	6	480	285	240	210	28	3	285	425	8-23	52
200	8	600	340	295	265	30	3	362	530	8-23	89

### Lined Basket Strainer



HG/T 20592 PN10

Unit:mm

DN	NPS	L	D	D1	D2	B	F	Z-d	H	H1
15	1/2	140	95	65	45	15	3	4-14	150	70
20	3/4	145	105	75	55	16	3	4-14	160	70
25	1	160	115	85	65	16	3	4-14	160	75
32	1 1/4	160	140	100	78	16	3	4-18	160	75
40	1 1/2	195	150	110	85	17	3	4-18	170	80
50	2	215	165	125	100	18	3	4-18	170	80
65	2 1/2	235	185	145	120	20	3	4-18	210	90
80	3	255	200	160	135	20	3	8-18	250	100
100	4	290	220	180	155	22	3	8-18	300	125
125	5	335	250	210	185	24	4	8-18	350	150
150	6	380	285	240	210	26	4	8-23	400	180
200	8	430	340	295	265	28	4	8-23	450	200