

# Lined Gate Valve

Patent No.: ZL01210939.8  
ZL201020627350.8

## ※Product Description

- Gate valve can be divided into rising stem gate valve, which refers to the disc doing lift movement in straight line along with the valve stem, and non-rising stem gate valve which refers to the stem nut located in the disc, when the stem rotates, the disc doing lift movement in straight line.
- Youfumi lined gate valve adopts new design structure, solving the inconvenient or jammed operation phenomenon caused by particles, fibers and medium deposition in the screw groove of common non-rising gate valve.
- Valve installation position is not subject to any restrictions.
- It can sustain any corrosive medium in addition to the "molten alkali metals and fluorine elements". It is ideal products used in chlor-alkali, industrial in organic chemicals, metal and mining, nitrogen and phosphatic fertilizers, petroleum refining, pharmaceutical etc.
- Lining material: PFA, FEP, GXPO etc.
- Operation methods: manual, worm gear, electric, pneumatic and hydraulic actuator.
- Youfumi lined gate valves are available as per the needs of applications in additional sizes and other than standard materials.



## ※ Technical Specification

Design & Manufacture Standard		HG/T 3704, GB/T 12234		API 600
Face-to-face Dimension Standard		HG/T 3704, GB/T 12221		ASME B16.10
Flange Standard		HG/T 20592, GB/T 9119		ASME B16.5, JIS B2220
Inspection & Test Standard		GB/T 13927, JB/T 9092		API 598
Nominal Diameter		DN25~DN350		1"~14"
Nominal Pressure (MPa)		1.0	1.6	150Lb
Pressure Test (MPa)	Shell Test	1.5	1.5	1.5
	High Pressure Sealing	1.1	1.1	1.1
	Low Pressure Sealing	0.6	0.6	0.6
Temperature Range (°C)		PFA: -30~200	FEP: -30~150	GXPO: -10~80
Applicable Medium		Strong corrosive medium i.e. hydrochloric acid, Nitric acid, Hydrofluoric acid, Liquid chlorine, Sulfuric Acid and Aqua regia etc.		

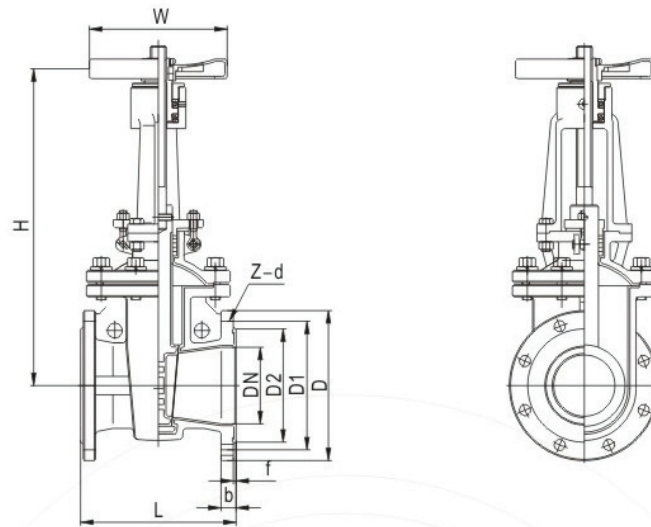
Note: Test standard refers general valve standard, high pressure should be customized for processing.

## ※ Material Specification

Name	Carbon Steel	Stainless Steel			
	C	P	R	PL	RL
Body/bonnet	WCB	CF8	CF8M	CF3	CF3M
Located clamp/Gland	WCB	CF8	CF8M	CF3	CF3M
Stem	2Cr13 SS304 SS410				
Lining material/seat	FEP、PFA、GXPO				
Stem nut	Copper				
Handwheel	QT400-15				
Bolt	A193 B7	A320 B8		A193 B8M	
Nut	A194 2H	A194 8		A194 8M	



# A Lined Valve Lined Gate Valve



YFMZ41

## HG/T 20592 PN10

Unit:mm

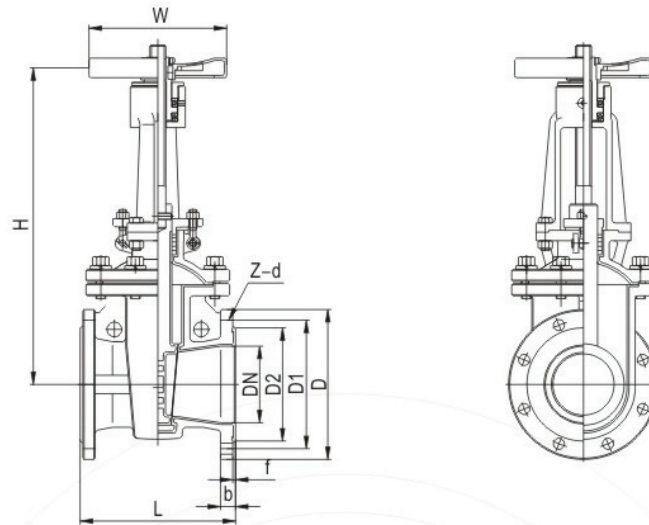
DN	L	D	D1	D2	Z-d	f	b	H	Do
25	127	115	85	65	4-14	2	14	-	160
32	140	140	100	78	4-18	3	16	-	160
40	165	150	110	85	4-18	3	16	-	180
50	178	165	125	100	4-18	3	16	295	180
65	190	185	145	120	4-18	3	18	335	220
80	203	200	160	135	8-18	3	20	402	250
100	229	220	180	155	8-18	3	20	455	280
125	254	250	210	185	8-18	3	22	605	320
150	267	285	240	210	8-23	3	24	690	360
200	292	340	295	265	8-23	3	26	727	400
250	330	395	350	320	12-23	4	28	970	450
300	356	445	400	368	12-23	4	28	1135	500

## HG/T20592 PN16

25	127	115	85	65	4-14	2	14	-	160
32	140	140	100	78	4-18	3	16	-	160
40	165	150	110	85	4-18	3	16	-	180
50	178	165	125	100	4-18	3	16	295	180
65	190	185	145	120	4-18	3	18	335	220
80	203	200	160	135	8-18	3	20	402	250
100	229	220	180	155	8-18	3	20	455	280
125	254	250	210	185	8-18	3	22	605	320
150	267	285	240	210	8-23	3	24	690	360
200	292	340	295	265	12-23	3	26	727	400
250	330	410	355	320	12-26	4	28	970	450
300	356	465	410	375	12-26	4	28	1135	500

Note: for more size please consult factory.

# A Lined Valve Lined Gate Valve



YFMZ41

## HG/T 20592 PN25

Unit:mm

DN	L	D	D1	D2	Z-d	f	b	H	Do
25	127	115	85	65	4-14	2	16	-	160
32	140	140	100	78	4-18	3	18	-	160
40	165	150	110	85	4-18	3	18	-	180
50	178	165	125	100	4-18	3	20	295	180
65	190	185	145	120	8-18	3	22	335	220
80	203	200	160	135	8-18	3	22	402	250
100	229	235	190	160	8-23	3	24	455	280
125	254	270	220	188	8-26	3	28	605	320
150	267	300	250	218	8-26	3	30	690	360
200	292	360	310	278	12-26	3	34	727	400
250	330	425	370	332	12-30	4	36	970	450
300	356	485	430	390	16-30	4	40	1135	500

## ASME Class150

1	127	108	79.5	51	4-16	2	14	-	160
1 1/4	140	117	89.0	64	4-16	3	16	-	160
1 1/2	165	127	98.5	73	4-16	3	17.5	-	180
2	178	152	120.5	92	4-19	3	19	295	180
2 1/2	190	178	139.5	105	4-19	3	22	335	220
3	203	190	152.5	127	4-19	3	24	402	250
4	229	229	190.5	157	8-19	3	24	455	280
5	254	254	216.0	186	8-22	3	24	605	320
6	267	279	241.5	216	8-22	3	25	690	360
8	292	343	298.5	270	8-22	3	28	727	400
10	330	406	362.0	324	12-25	4	30	970	450
12	356	483	432.0	381	12-25	4	32	1135	500