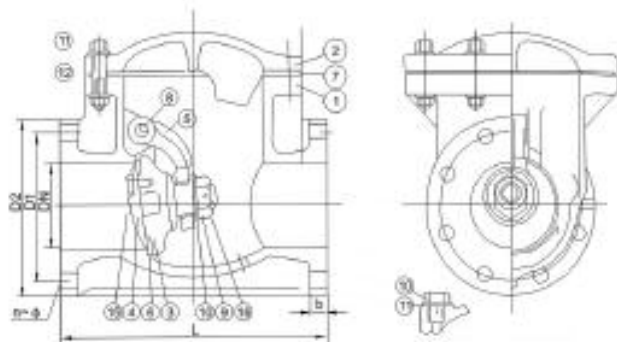


Plastic Valve Plastic Check Valve



Plastic Swing Type Check Valve



Material Specification

No.	Name	Material	No.	Name	Material
1	Body	RPP, PVDF	9	Nut	RPP, PVDF
2	Bonnet	RPP, PVDF	10	Packing	RPP, PVDF
3	Moving board	RPP, PVDF	11	Nut	Stainless steel, steel
4	Sealing ring tray	RPP, PVDF	12	Packing	Stainless steel, steel
5	Swing side	PTFE	13	Packing	PTFE(PVDF, RPP)
6	Sealing	PTFE	14	Nut	RPP, PVDF
7	Back seal	PTFE(PVDF,RPP)	15	Flange screw	RPP, PVDF
8	Shaft	RPP,PVDF	16	Pin	RPP, PVDF

RPP, PVDF, CPVC, ABS, H44F-10

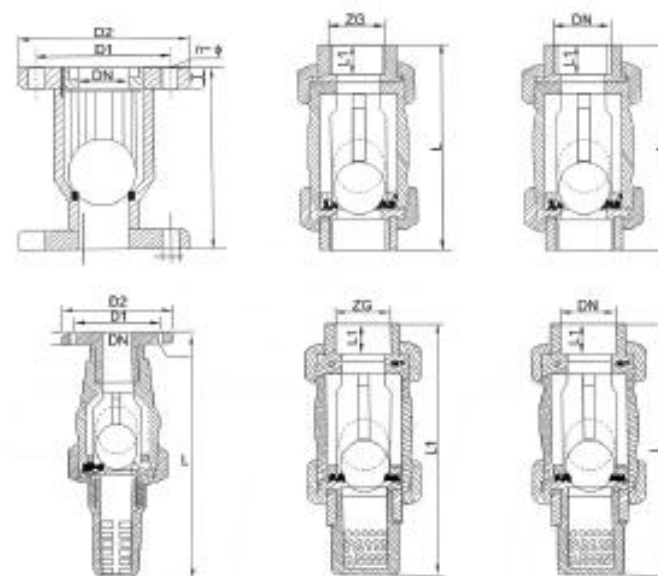
Unit:mm

DN(mm) Nominal Diameter	D1			D2			N-φ			L		B		Working Pressure				
	JIS	DIN	ANSI	JIS	DIN	ANSI	JIS	DIN	ANSI	DIN	JIS	JIS	DIN	JIS	RPP	PVDF	CPVC	UPVC
20	75	75	2.76	100	105	3.68	4-15	4-14	4	0.63	140	5.51	15	0.59	0.6	0.7	0.6	0.7
25	90	85	3.13	125	115	4.25	4-19	4-14	4	0.63	160	6.30	16	0.63	0.6	0.7	0.6	0.7
40	105	110	3.68	140	150	5.00	4-19	4-18	4	0.63	180	7.09	18	0.71	0.6	0.7	0.6	0.7
50	120	125	4.74	150	165	5.86	4-19	4-18	4	0.75	200	7.87	21	0.82	0.6	0.7	0.6	0.7
65	140	145	5.49	175	185	7.01	4-19	4-18	4	0.75	240	9.45	23	0.90	0.6	0.7	0.6	0.7
80	150	160	6.00	185	200	7.52	8-19	8-18	4	0.75	260	10.24	25	0.98	0.6	0.7	0.6	0.7
100	175	180	7.50	210	220	9.02	8-19	8-18	6	0.75	300	11.81	26	1.02	0.5	0.5	0.6	0.7
125	210	210	8.50	250	250	10.00	8-23	8-18	6	0.87	350	13.78	27	1.06	0.5	0.5	0.6	0.7
150	240	240	9.51	280	280	10.98	8-23	8-23	6	0.87	400	15.75	27	1.06	0.4	0.5	0.6	0.7
200	290	295	11.75	330	340	13.50	12-23	8-23	8	0.87	500	19.69	34	1.34	0.4	0.5	0.6	0.7

Plastic Valve Plastic Check Valve



Plastic Ball Check Valve



RPP, PVDF, CPVC, ABS, H(11/41/61)-10(S/F) Flange, screw, socket check valves

Unit:mm

DN mm	Dimensions of flanged type					Dimensions of screw type			DN mm	Socket type dimension		Working Pressure MPa
	D2	D1	L	b	N-φ	ZG	L	L1		L	L1	
15	65	65	120	14	4-14	ZG1/2"	140	15	20	140	15	1.0
20	106	75	120	14	4-14	ZG3/4"	168	17	25	168	17	1.0
25	115	85	140	16	4-14	ZG1"	189	20	32	189	20	1.0
32	135	100	144	17	4-18	ZG1 1/4"	210	23	40	210	23	1.0
40	145	110	163	18	4-18	ZG1 1/2"	238	25	50	238	25	1.0
50	160	125	166	20	4-18	ZG2"	292	26	63	290	26	1.0
65	180	140	220	22	4-18	ZG2 1/2"	301	32	75	301	32	1.0
80	195	160	240	25	4-18	ZG3"	371	32	90	371	32	1.0
100	215	180	275	25	4-18	ZG4"	504	45	110	504	45	1.0
125	245	210	360	30	4-18							0.6
150	280	240	400	30	8-23							0.6
200	335	295	400	35	8-23							0.61