

# Plastic Ball Valve

## Product Description

- All parts adapt the RPP or PVDF by injection molding, with good corrosion resistant performance.
- Flexible rotation, convenient operation. One-piece ball valve has little leakage point, high strength. It is used only for cutting off and through-flow, not suitable for flow regulation.
- When the two ends connected to pipeline, the bolts should be tightened evenly, to avoid the flange deformation and cause leakage. Rotating the lever in clockwise direction as closing, otherwise it is open.
- It is applicable for water, air, oil, corrosive chemical liquid application.



FRPP Ball Valve

## Working Temperature

- RPP: -14°C-90°C
- PVDF: -40°C-140°C
- CPVC: -20°C-95°C
- UPVC: -14°C-80°C



PVDF Ball Valve

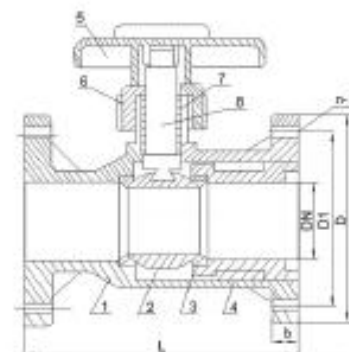


Three Pieces Ball Valve

## Plastic Valve Plastic Ball Valve



### One-piece Flange Type Ball Valve



### Material Specification

No.	Name	Material	No.	Name	Material
1	Body	RPP, PVDF, ABS, CPVC	5	Hand wheel	ABS
2	Ball	RPP, PVDF, ABS, CPVC	6	Bolt & nut	RPP, PVDF, PPH, ABS, UPVC, CPVC
3	Sealing ring	PTFE	7	Sealing	PTFE
4	Inner plunger	RPP, PVDF, ABS, CPVC	8	Stem	RPP, PVDF, PPH, ABS, UPVC, CPVC

### GB/JIS/DIN/ANSI

Unit:mm

DN	D	D1				L	b	Size															
								n				φ				Rate/Pass (%)				Weight(kg)			
		GB	JIS	DIN	ANSI			n	JIS	DIN	ANSI	φ	JIS	DIN	ANSI	PVDF	RPP	PPH	PVDF	CPVC	UPVC		
15	95	65	70	65	60	120	14	4	4	4	4	14	15	14	0.63	1.0	1.0	0.39	0.67	0.6	0.54		
20	105	75	75	75	70	120	16	4	4	4	4	14	15	14	0.63	1.0	1.0	0.42	0.72	0.65	0.58		
25	115	85	90	85	80	140	18	4	4	4	4	14	19	14	0.63	1.0	1.0	0.56	0.94	0.84	0.75		
32	135	100	100	100	89	144	16	4	4	4	4	18	19	14	0.63	1.0	1.0	0.85	1.45	1.3	1.16		
40	145	110	105	110	96	163	16	4	4	4	4	18	19	16	0.63	1.0	1.0	1	1.75	1.57	1.4		
50	160	125	120	120	108	168	18	4	4	4	4	18	19	18	0.75	1.0	1.0	1.32	2.25	2	1.8		
65	180	145	140	145	140	220	22	4	4	4	4	18	19	18	0.75	1.0	1.0	1.9	3.2	2.9	2.6		
80	195	160	150	160	152	240	25	4	8	8	4	18	19	18	0.75	1.0	1.0	2.4	4.1	3.7	3.3		
100	215	180	175	180	190	275	25	8	8	8	8	18	19	18	0.75	1.0	1.0	3.6	6.1	5.5	4.9		
125	245	210	210	210	216	360	30	8	8	8	8	18	23	18	0.87	0.8	0.8	5.9	10	9	8		
150	280	240	240	240	240	362	30	8	8	8	8	23	23	23	0.87	0.8	0.8	7.4	12.6	11.2	10		
200	335	295	290	295	298	400	35	8	12	8	8	23	23	23	0.87	0.8	0.8	12	21	18	16		
250	395	350	355	350	362	500	38	12	12	12	12	23	23	23	0.87	0.8	0.8	18	32	29	27		

Note: Size above DN200 is gear box operated.