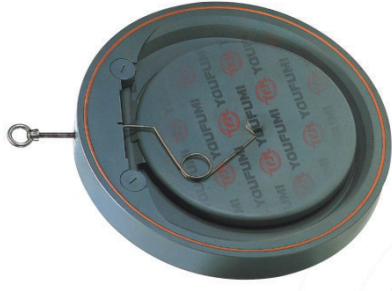


### Product Description

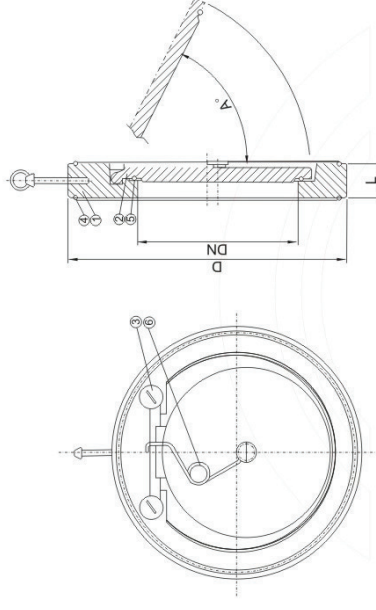
- Light valve weight, strong anti-corrosion, easy disassembly and maintenance.
- It is applicable for convey, cut-off, flow regulation of corrosive medium. All parts adapt the RPP or PVDF by injection molding, with good corrosion resistant performance. It is screw lifting structure and has good operational stability. It can replace the stainless steel valve. Sealing diaphragm adapts the FEP or PFA, of which the folding number is more than 1200 times.
- It is widely used in water, air, oil, corrosive chemical liquid application.

### Working Temperature

- RPP: -14°C-90°C
- PVDF: -40°C-140°C
- CPVC: -20°C-95°C
- UPVC: -14°C-80°C



### Plastic Wafer Type Check Valve

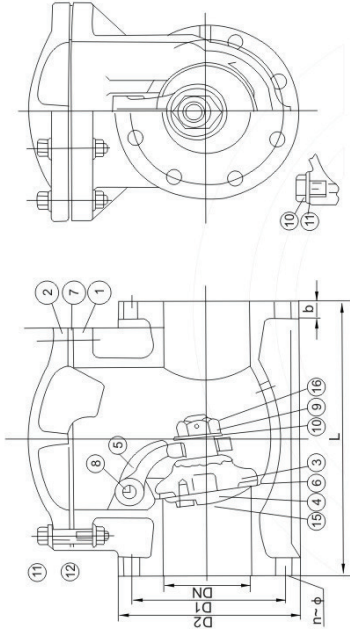


### Technical Specification

Design & Manufacturing Standard	GB12240	API 6D
Face-to-face Dimension	GB/T5188.2/API 6D	
Flange Standard	JB78/JB79 ANSI B16.5	
Nominal Diameter	DN60-500	2"-20"
Nominal Pressure	PN0.6-2.5(Mpa)	ANSI150-300LB
Inspection & Test Standard	GB/T13927	API 598

DN(mm)	PN0.6MPa			PN1.0MPa			PN1.6Mpa/Class 150LB			PN2.5MPa/Class 300LB		
	L	D	Unit:mm	L	D	Unit:mm	L	D	Unit:mm	L	D	Unit:mm
50	19	90		19	100		19	100/92		19	100/92	
65	19	110		19	120		19	120/105		19	120/105	
80	19	125		19	135		19	135/127		19	135/127	
100	19	145		19	155		19	155/157		19	160/157	
150	19	200		19	210		19	210/216		22	218/216	
200	28	255		28	265		28	265/270		28	278/270	
250	28	310		28	320		28	320/324		38	332/324	
300	38	362		38	368		38	375/381		51	390/381	
350	44	412		44	428		44	435/413		51	448/413	
400	51	462		51	482		51	485/470		51	505/470	
450	60	518		60	532		60	545/533		76	555/533	
500	60/64	568		60/64	585		60/64	608/584		83	610/584	

**Plastic Swing Type Check Valve**



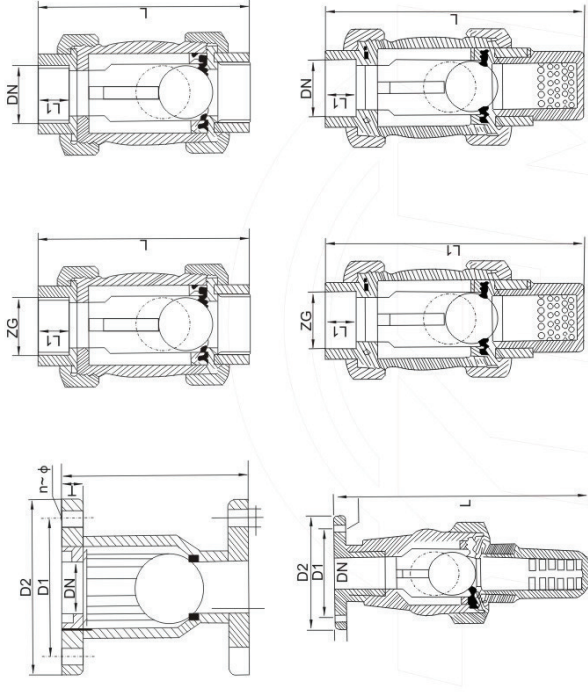
**Material Specification**

No.	Name	Material	No.	Name	Material
1	Body	RPP, PVDF	9	Nut	RPP, PVDF
2	Bonnet	RPP, PVDF	10	Packing	RPP, PVDF
3	Moving board	RPP, PVDF	11	Nut	Stainless steel, steel
4	Sealing ring tray	RPP, PVDF	12	Packing	Stainless steel, steel
5	Swing axle	PTEE	13	Packing	PTEE(PVDF, RPP)
6	Sealing	PTEE	14	Nut	RPP, PVDF
7	Back seal	PTFE(PVDF/RPP)	15	Fixed screw	RPP, PVDF
8	Shaft	RPP,PVDF	16	Pin	RPP, PVDF

**RPP, PVDF, CPVC, ABS, H44F-10**

DN(mm) Nominal Diameter	D1		D2		N-φ		L		B		Working Pressure					
	JIS	ANSI	JIS	ANSI	JIS	ANSI	JIS	ANSI	JIS	ANSI	RPP	PVDF/CPVC/UPVC				
20	75	2.76	100	3.86	4-15	4-14	4	0.63	140	5.51	15	0.59	0.6	0.7	0.6	0.7
25	90	3.13	125	4.25	4-19	4-14	4	0.63	160	6.30	16	0.63	0.6	0.7	0.6	0.7
40	105	3.88	140	5.00	4-19	4-18	4	0.63	180	7.09	18	0.71	0.6	0.7	0.6	0.7
50	120	4.74	155	5.98	4-19	4-18	4	0.75	200	7.87	21	0.82	0.6	0.7	0.6	0.7
65	140	5.49	175	7.01	4-19	4-18	4	0.75	240	9.45	23	0.90	0.6	0.7	0.6	0.7
80	150	6.00	185	7.52	8-19	8-18	4	0.75	260	10.24	25	0.98	0.6	0.7	0.6	0.7
100	175	7.50	210	9.02	8-19	8-18	8	0.75	300	11.81	26	1.02	0.5	0.5	0.5	0.6
125	210	8.50	250	10.00	8-23	8-18	8	0.87	350	13.78	27	1.06	0.5	0.5	0.5	0.6
150	240	9.51	280	10.98	8-23	8-23	8	0.87	400	15.75	27	1.06	0.4	0.5	0.5	0.6
200	290	11.75	330	13.50	12-23	8-23	8	0.87	500	19.69	34	1.34	0.4	0.5	0.5	0.6

**Plastic Ball Check Valve**



**RPP, PVDF, CPVC, ABS, H(11/41/61)-10(S/F) Flange, screw, socket check valves**

Unit:mm

DN mm	Dimensions of flanged type				N-φ	Dimensions of screw type				DN mm		Socket type dimension		Working Pressure MPa
	D2	D1	L	b		ZG	L	L1	L	L1	L	L1		
15	95	65	120	14	4-14	ZG1/2"	140	15	20	140	15	1.0		
20	105	75	120	14	4-14	ZG3/4"	168	17	25	168	17	1.0		
25	115	85	140	16	4-14	ZG1"	189	20	32	189	20	1.0		
32	135	100	144	17	4-18	ZG1 1/4"	210	23	40	210	23	1.0		
40	145	110	163	18	4-18	ZG1 1/2"	238	25	50	238	25	1.0		
50	160	125	188	20	4-18	ZG2"	280	28	63	280	28	1.0		
65	180	140	220	22	4-18	ZG2 1/2"	301	32	75	301	32	1.0		
80	195	160	240	25	4-18	ZG3"	371	32	90	371	32	1.0		
100	215	180	275	25	4-18	ZG4"	504	45	110	504	45	1.0		
125	245	210	360	30	4-18							0.6		
150	280	240	400	30	8-23							0.6		
200	335	295	400	35	8-23							0.61		